

Shower Tray Fitting Instructions



SWIF1095, SWIF1295, SWIF1345 &
SWIF1345x945
Left hand illustrated



SWI945, SWIF1045 & SWIF1245
Not handed illustrated



SWIF1400 Alcove
Not handed illustrated

IMPORTANT: To protect shower base from being marked whilst being installed, please use a cardboard covering

**! PLEASE READ THESE INSTRUCTIONS PRIOR TO COMMENCING YOUR INSTALLATION
THESE INSTRUCTIONS HAVE BEEN PREPARED AS AN INSTALLATION GUIDE**

**! WE DO NOT APPROVE THE USE OF POWER SHOWERS
IN SPECIAL NEEDS SHOWER TRAYS!**

FITTING INSTRUCTIONS

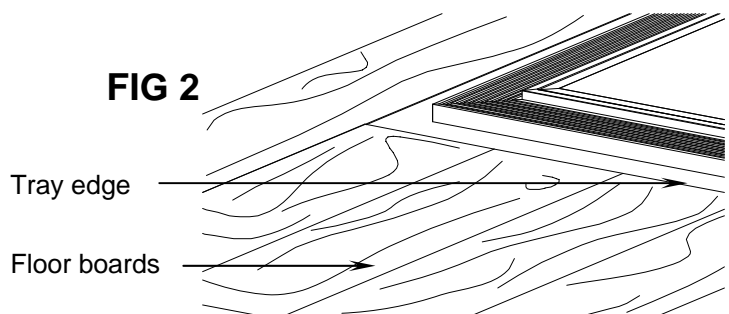
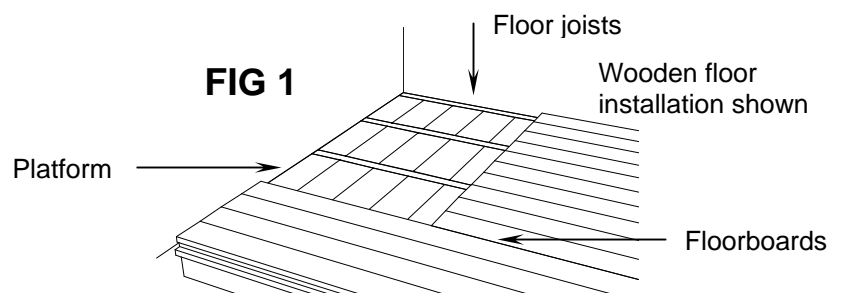
1. Locate the Swift in the corner or alcove to which it is going to be finally positioned and mark lines around the outer edge. **FIG 1**

2. Excavate within your marked area to a sufficient depth of approximately 18mm to accept the tray

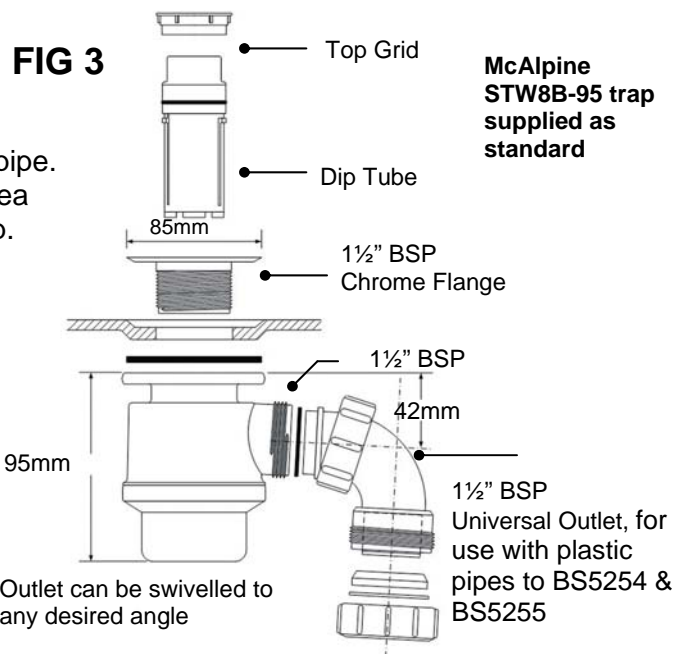
3. For a wooden floor installation, it is easiest to form a level platform between the joists to ensure the tray is fully supported. Use a weak sand and cement mix or Carlite bonding to bed the tray onto and to fill any voids underneath the waste. **FIG 1**

When installing in a solid floor use a weak sand and cement mix to bed the tray onto. Apply a unibond type sealant to the underside of the tray to achieve good adhesion between the cement and the tray.

NOTE: The tray edge and floor must be absolutely level in order to apply your floor covering! FIG 2

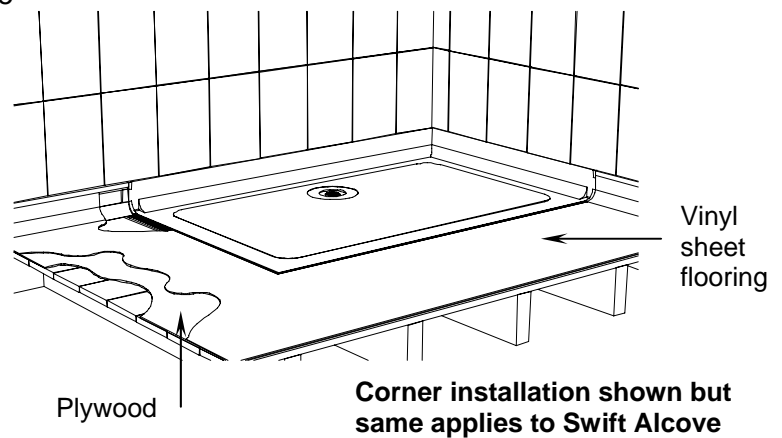


4. Ensure the Swift fits neatly into your recess and mark the shower trap position
5. Remove tray. Decide upon the position for the waste pipe. For a solid floor, it may be necessary to remove an area under the tray outlet position to accommodate the trap. (Approximate trap depth 92mm x 78mm width). **FIG 3**



6. With waste pipework completed, align with tray waste outlet and attach trap
7. Place trap through waste outlet of the tray and attach to the trap body using supplied tool at the bottom of the dip tube
8. Pilot drill through the trays tiling lip and the Trueseal profile, and secure to the wall and joists respectively. It may be necessary to pack out behind the trays tiling lip with marine ply to ensure the tiling lip is flush with the wall ready for tiling

FIG 4

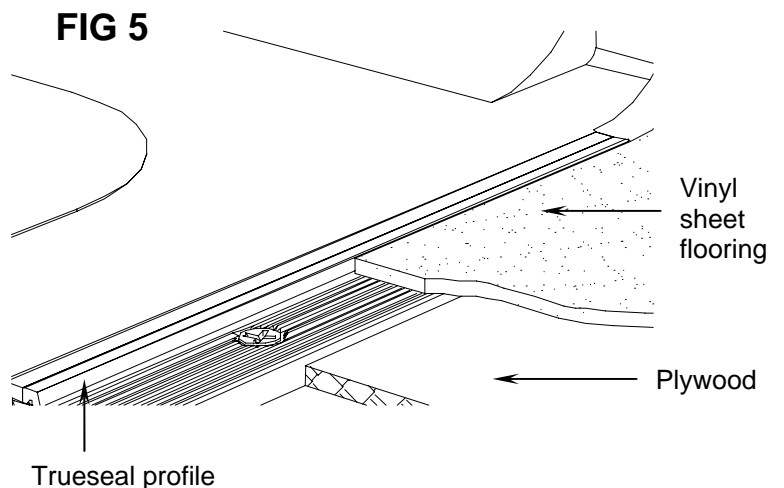


9. At this stage you will now be ready to bond into position the relevant coverings and captile strip as per the manufacturers instructions
10. You will need to cover the exposed floor with 4mm plywood in order to make the floor and Trueseal junction level to apply your vinyl sheet flooring onto. **FIG 4**
11. Cut your 2.0mm vinyl sheet flooring as required

12. Where the sheet flooring is to be anchored to the Trueseal profile, the flooring edge should be cut in and hot welded onto the Trueseal PVC insert using a hot weld gun

NOTE: Vinyl sheet flooring should be bonded to the floor using a 2 part water resistant adhesive

13. It is important that the Trueseal profile is kept clean and that the protective tape remains intact and is not removed until the flooring is ready for bonding. **FIG 5**



NOTE: Vinyl sheet flooring should be welded in accordance with manufacturers instructions

YOU ARE NOW READY TO FIT YOUR CHOICE OF SHOWER ENCLOSURE