

CONTOUR Ancillary Items

UNIVERSAL TOILET PLINTHS

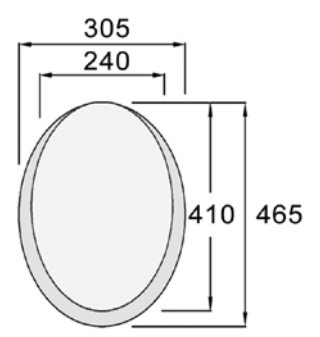


55mm high



105mm high

- A universal Toilet Plinths can be used to permanently raise the WC pan by either 55mm or 105mm.
- Screw directly to the floor or tray.
- GRP construction.
- An alternative to using raised toilet seats.
- Universal, can be used with virtually all WC pans
- Featuring Microban® antibacterial protection.
- Lifetime guarantee.
- The addition of a grabrail alongside the WC can assist the user when standing or sitting, see page 100.

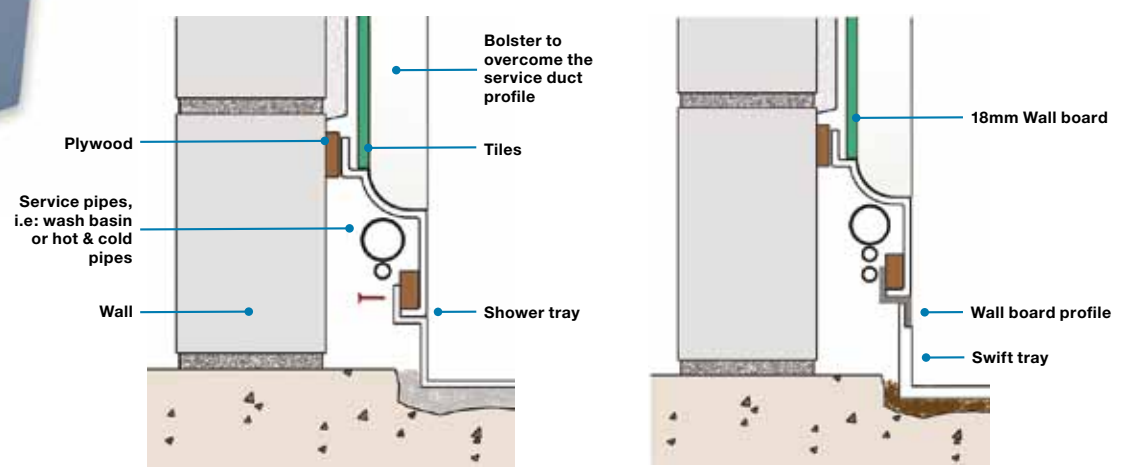


	REFERENCE
55mm	26TP55
105mm	26TP105

SERVICE DUCT PROFILE



- Overcome problematic above ground obstacles by using Contour's Service Duct Profile.
- Creates a void approximately 75mm behind the tray allowing clearance for above ground pipework.
- GRP construction.
- Supplied in 2 metre lengths, can be cut to length on site.
- Utilise with any shower tray that has an 18mm tiling lip.
- 38mm radius accepts corner blocks that are incorporated with our Made to Measure doors. Alternatively a bolster section would be required, please ask for details.
- Utilise with a wall board profile if using the pipe duct with a Swift tray which has a 7mm tiling lip.
- Featuring Microban® antibacterial protection.



	REFERENCE
Pipe Ducting	26PD2000