

Manufacturing process and green credentials

Contour Eco-dec® floor formers are made from recycled plastic waste materials using the Powder Impression Moulding (PIM) process.

Environmental Recycling Technologies plc (ERT) is a leading developer of innovative technologies specifically focusing on plastic waste recycling. The company holds the world wide intellectual property rights to a number of technologies related to this sector including the PIM process.

The ERT PIM process allows us to improve our environmental footprint by adding new value to mixed plastic waste streams by conversion into added value products which, in turn, can be recycled.

Visit www.ertplc.com for more information regarding this process. The PIM process revolutionises mixed plastic waste disposal compared to traditional systems:

The PIM process starts with ordinary mixed plastic waste.



Mixed plastic waste is transformed into a valuable raw material.

Raw material is made into a variety of floor former options.

Eco-dec® carbon footprint

An assessment of the carbon footprint of an Eco-dec® compared with an equivalent product has been conducted using the same life cycle boundaries. Based on this study it has been calculated that the carbon footprint of the Eco-dec is between **60% - 90%** lower than equivalent products made from virgin materials currently sold in the UK.

Eco-dec® contains over 90% recycled plastics from post consumer waste. The life cycle greenhouse gas emissions of this product are on average 64Kg CO2 equivalent per Eco-dec®.

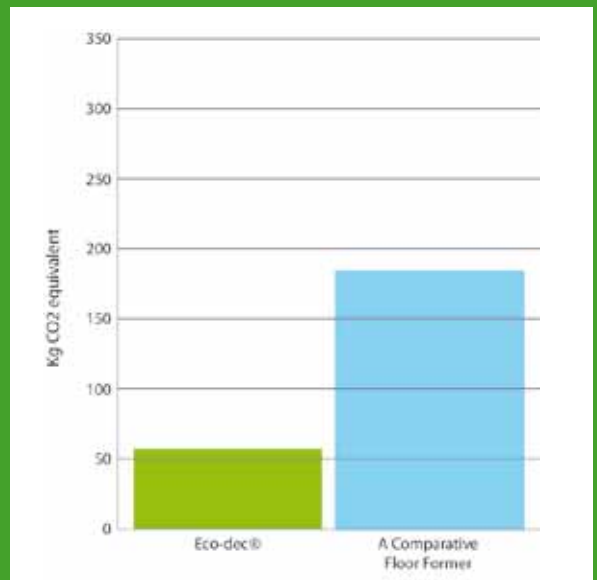
The product life cycle greenhouse gas emission of Contour Eco-dec® was assessed in accordance with BSi PAS 2050:2008 and is expressed in mass of carbon dioxide equivalent (CO2e).



The calculations have been performed by URS/Scott Wilson, a leading sustainability and environmental consultancy accredited with the Carbon Trust, using the same methodology and up to date emission factors published by DEFRA and the WORLD RESOURCES INSTITUTE (WRI).

Primary data has been used wherever possible, however, where it has been necessary to use secondary data or make assumptions a principal of conservativeness has been applied.

Carbon Footprints, 1300x800 floor formers



Eco-dec® Carbon Footprint

Activity	KG CO2 (equivalent)
Raw material manufacture	10
Raw material transport	0.2
Manufacture	52
Transport to warehouse	0.1
Disposal of waste product to landfill	2
TOTAL	64

Create a lifetime homes standard using **eco-dec®**

Installing an Eco-dec® wet floor former prior to fitting a bathroom suite will allow easy bathroom adaptation should the current or future occupants encounter bathing difficulties.

By using a simple cover plate, the Eco-dec®'s gully can be installed but sealed off for future use. Likewise, by removing the cover plates blanking cap, the cover provides a connection point to suit a 1½" waste pipe from a bath.

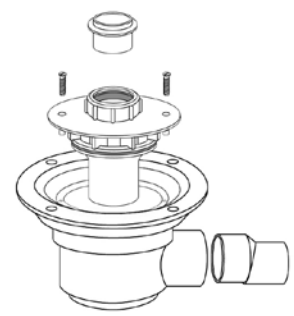


Connect the gully cover plate to the bath waste with a flexible connector

CPTSG Conversion Cover Plate

- Convert TSG gully to suit 1½" waste pipe from a bath or seal for future use
- For use with TSG52 shower gullies for sheet flooring
- When removed, allows gully to revert back for use as a shower drain
- Blanking cap enables gully to be sealed off

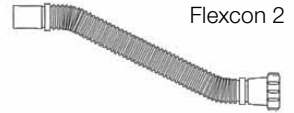
See page 106 for further details



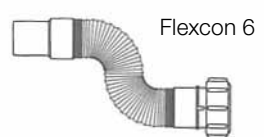
CPTSG cover plate fits into the top of the TSG52 gully (Gully supplied separately)

Flexible Connectors

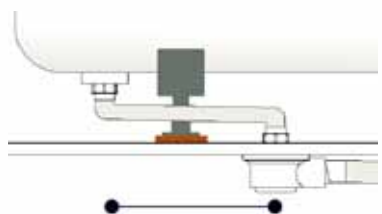
- 1½" flexible compression connectors offer flexibility when conventional fittings cannot be used



455mm maximum length



250mm maximum length



Distance from bath waste to gully:
 Upto 250mm use FLEXCON6
 Upto 455mm use FLEXCON2

Eco-dec® independently tested

Eco-dec® has been subjected to independent testing to determine fatigue and flexural properties by Smithers RAPRA, the leading UKAS laboratory, to evaluate and replicate the expected product life in application.

The fatigue resistance testing showed no visible detrimental effect after 1,109 30 minute cycles, during which the seat was raised and dropped 22,180 times.

For flexural testing an increasing load was applied through shower chair feet positioned each side of the waste. The minimum load on a shower chair before cracking occurred was 5.5kN, which is equivalent to an 88 stone person.

NOTE: We recommend placing a batten beneath the bath feet to protect the floor covering when installing a Lifetime Homes bathroom.



'Independent evaluation undertaken by Smithers RAPRA'

The eco-friendly floor former

Quick and simple to install, our wide range of environmentally friendly Eco-dec® floor formers enable bathrooms to be used as complete, level access Wet Rooms.

Creating falls in the floor of a traditional Wet Room is difficult and time consuming. Eco-dec® avoids that inconvenience, the pre-formed gradient provides a perfect wet area for trouble free level access showering.

Only 24mm thick, Eco-dec® is concealed underneath the vinyl floor covering once installed, guaranteeing the bathroom to be used as a complete, wheelchair friendly, Wet Room environment.

NOW AVAILABLE, Eco-dec® 1500x1000 for easier wheelchair access and Eco-dec® 1800x900 cut to size bath replacement, see page 11.



Independently tested

Eco-dec® has been subjected to independent testing to determine fatigue and flexural properties by Smithers RAPRA, the leading UKAS laboratory, to evaluate and replicate the expected product life in application. The fatigue resistance testing showed no visible detrimental effect after 1,109 30 minute cycles, during which the seat was raised and dropped 22,180.

For flexural testing an increasing load was applied through shower chair feet positioned each side of the waste. The minimum load on a shower chair before cracking occurred was 5.5kN, which is equivalent to an 88 stone person.

Key Benefits

- Manufactured in the UK from over 90% recycled plastic materials
- 100% recyclable into another Eco-dec®
- A truly sustainable product
- Only 24mm thick, easily locates in wooden or solid floors
- Incredibly strong, yet light in weight for easier handling
- More durable than existing traditional materials
- Pre-formed surface eliminates the need to create difficult falls in the floor
- Use effectively as part of the Environmental Management System, ISO14001
- All Eco-dec®'s can be cut in virtually any position using conventional wood working tools to allow for precise installation
- No modifying of joists required
- Can be bonded directly onto without any additional preparation
- Significant strength to weight ratio
- Designed to be used with tiles if preferred, see page 90 for details. A suitable tanking membrane would also be needed, see page 91
- Lifetime guarantee
- Not handed



Suitable for wooden floors



Suitable for screeded floors



Below ground tray



Yes



Suitable for gravity waste



Suitable for pumped waste



1800 x 800 & 1800 x 900
Cut to size bath replacement



Proudly Made in the UK



Eco-dec® cross-section detail



Remove an area of flooring to accept the 24mm Eco-dec®



Make existing floor and Eco-dec® absolutely level



Corner block can be cut.



Vinyl floor.

Easy Installation

Installing an Eco-dec® could not be easier. Remove an amount of the existing floor to accept the 24mm thick Eco-dec®.

When siting in a wooden floor, the Eco-dec® would rest on the existing floor joists. If the floorboards are 18mm deep, it would be necessary to make the remaining exposed floor and the Eco-dec® absolutely level using plywood.

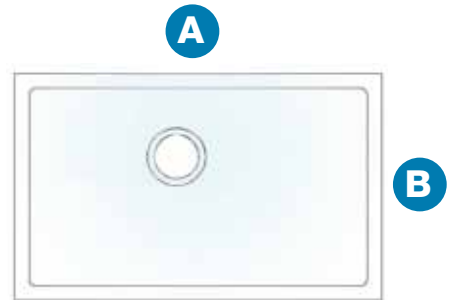
Fill the joint using a resin car body filler or similar to form a strong bond between the Eco-dec® and the floor, your vinyl sheet flooring can now be laid using an appropriate adhesive as recommended in the manufacturers instructions.

Prepare the floor covering to accept the gully cover and to receive the welded corner joint, the appearance of the bathroom should soon resemble a perfect wet floor area.

Corner blocks form an integral part of the shower doors and can be trimmed on site to accommodate floor coving.



Tiled floor. Aquaproofing tanking membrane should be used when applying tiles to Eco-dec®, see page 91



Reference	Tray Size	
	A	B
ED900x900	900	900
ED1000x1000	1000	1000
ED1300x800	1300	800
ED1200x1200	1200	1200
ED1200x750	1200	750
ED1400x900	1400	900
ED1500x800	1500	800
ED1500x1000	1500	1000
ED1800x800	1800	800
ED1800x900	1800	900

Eco-dec®s are not handed

*Please note, ED900x900 is 22mm thick

Waste Options

Supplied as standard with a TSG52, 2 piece, 50mm water seal gravity waste gully, see page 104 for more details.

PRIMO shower waste pump and USG1-WH available if using in a waste pump situation, see page 92 for more details.



Door Options >>>>>

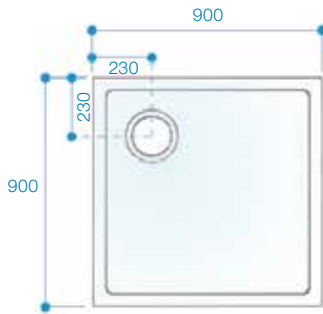


Eco-dec®

- Create a level access wet floor area
- 24mm thick
- Quick & simple to install
- Not handed

ECO-DEC® - standard door options

ED900x900



NOTE: 900x900 Eco-dec is 22mm thick
Not handed
Reference Code: ED900x900

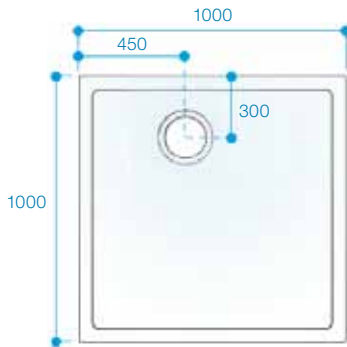
Compatible shower doors *see pages 12-15*

WF1	WF11		
WF2	WF12		
WF3	WF14		
WF5	WF15		
WF6	WF16		
WF7	WF20		
WF8	WF29		
WF9	WF30		
WF10	WF31		

Doors supplied to suit an Eco-dec® wet floor area integrate a corner block which can be cut to overcome floor coving.



ED1000x1000



Not handed - Reference Code: ED1000x1000

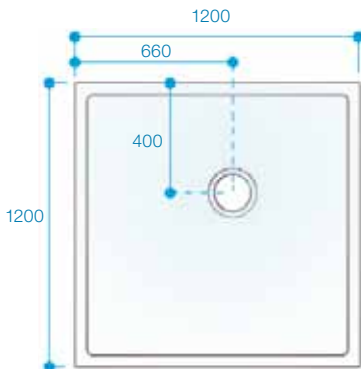
Compatible shower doors *see pages 12-15*

WF1	WF10	WF20	
WF2	WF11	WF21	
WF3	WF12	WF23	
WF4	WF13	WF28	
WF5	WF14	WF29	
WF6	WF15	WF30	
WF7	WF16	WF31	
WF8	WF17		
WF9	WF18		

All doors are glazed as standard with decorative, Environmentally friendly PET but can also be glazed with polypropylene and toughened glass on request.



ED1200x1200



Not handed - Reference Code: ED1200x1200

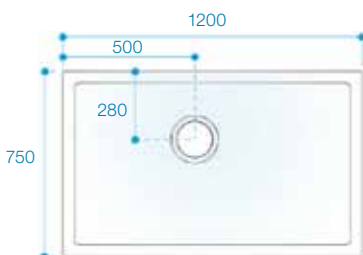
Compatible shower doors *see pages 12-15*

WF3	WF13	WF23	
WF4	WF14	WF24	
WF5	WF15	WF25	
WF6	WF16	WF28	
WF7	WF17	WF29	
WF8	WF18	WF30	
WF9	WF19	WF31	
WF10	WF20	WF32	
WF11	WF21		
WF12	WF22		

Luxe range doors can be glazed with either PET or toughened glass, please state when ordering.



ED1200x750



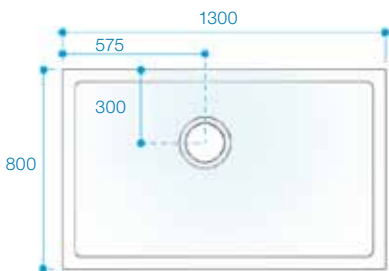
Not handed
Reference Code: ED1200x750

Compatible shower doors *see pages 12-15*

WF1	WF12	WF22	WF33
WF3	WF13	WF23	WF34
WF4	WF14	WF24	
WF5	WF15	WF25	
WF6	WF16	WF27	
WF7	WF17	WF28	
WF8	WF18	WF29	
WF9	WF19	WF30	
WF10	WF20	WF31	
WF11	WF21	WF32	

'Eco-dec® tolerance on manufacture +10mm/-0mm'

ED1300x800

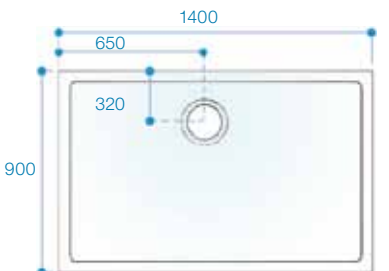


Not handed
Reference Code: ED1300x800

Compatible shower doors see pages 12-15

WF1	WF12	WF21	
WF3	WF13	WF22	
WF4	WF15	WF23	
WF5	WF16	WF24	
WF6	WF17	WF25	
WF7	WF18	WF26	
WF8	WF19	WF28	
WF9	WF20	WF32	
WF10	WF21	WF33	
WF11	WF22	WF34	

ED1400x900



Not handed
Reference Code: ED1400x900

Compatible shower doors see pages 12-15

WF1	WF13	WF25	
WF3	WF15	WF26	
WF4	WF16	WF27	
WF6	WF17	WF28	
WF7	WF18	WF30	
WF8	WF19	WF31	
WF9	WF21	WF32	
WF10	WF22	WF33	
WF11	WF23	WF34	
WF12	WF24		

How to Order

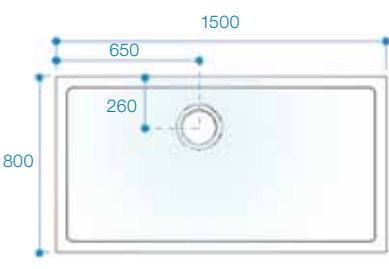
In a typical bathroom adaptation you will need a floor former and set of doors. You will need the following information to order:

reference code of floor former and reference number and handing of door option, for example: ED900x900WF1LH

If you are ordering a set of Luxe doors add LUX after your door option, for example: ED900x900WF1LH-LUX

To order Luxe doors with toughened glass use LUX-G after your door option, for example: ED900x900WF1LH-LUX-G

ED1500x800

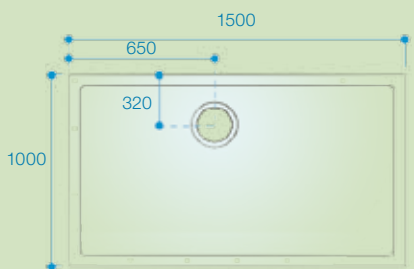


Not handed
Reference Code: ED1500x800

Compatible shower doors see pages 12-15

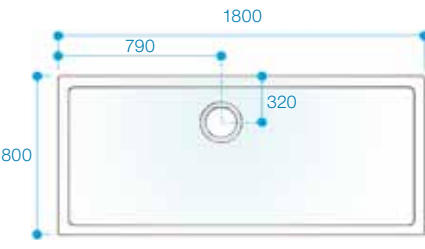
WF1	WF13	WF25	
WF3	WF15	WF26	
WF4	WF16	WF27	
WF6	WF17	WF28	
WF7	WF18	WF32	
WF8	WF19	WF33	
WF9	WF21	WF34	
WF10	WF22		
WF11	WF23		
WF12	WF24		

ED1500x1000



Not handed
Reference Code: ED1500x1000
AVAILABLE FROM MAY 2011

ED1800x800

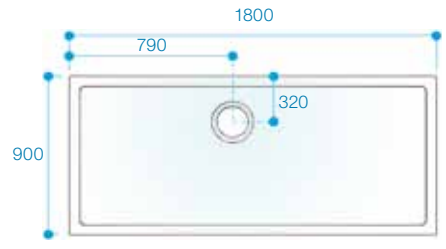


Not handed
Reference Code: ED1800x800

Compatible shower doors see pages 12-15

WF4	WF22	WF27	
WF12	WF23	WF28	
WF17	WF24	WF32	
WF19	WF25	WF33	
WF21	WF26	WF34	

ED1800x900



Not handed
Reference Code: ED1800x900
AVAILABLE FROM APRIL 2011



Eco-dec®

- Create a level access wet floor area
- 24mm thick
- Quick & simple to install
- Not handed

ECO-DEC® - standard door options

The following standard white doors are also available in our LUXE Range, unless stated otherwise

Option WF1



Bi-folding and single door provide maximum access.
Left hand illustrated
WF1LH
WF1RH

Option WF2



Bi-parting doors provide maximum access.
This option is not handed when used with a square Eco-dec®
WF2LH
WF2RH

Option WF3



Twin bi-folding doors provide maximum access in a confined space.
This option is not handed when used with a square Eco-dec®
WF3LH
WF3RH

Option WF4



Bi-folding and tri-folding door allowing full access in a confined space.
Left hand illustrated
WF4LH
WF4RH

Option WF6



Bi-folding door hinging from a fixed panel for corner access.
Left hand illustrated
WF6LH
WF6RH

Option WF7



Bi-folding door hinging from the wall for maximum access.
Left hand illustrated
WF7LH
WF7RH

Option WF8



Bi-parting doors hinging from the wall and fixed panel for ease of use.
Left hand illustrated
WF8LH
WF8RH

Option WF9



Bi-folding door hinging from the wall with single door hinging from the fixed panel.
Left hand illustrated
WF9LH
WF9RH

Option WF14



Easy to open single door opens outwards allowing full access.
Left hand illustrated
WF14LH
WF14RH

Option WF15



Bi-parting doors hinging from the wall for full access in a restricted room.
This option is not handed
WF15

Option WF16



Bi-folding door hinging from the wall for maximum access in a confined space.
Left hand illustrated
WF16LH
WF16RH

Option WF17



Bi-folding and single door allow full access to the showering area.
Left hand illustrated
WF17LH
WF17RH

Option WF5



Twin sliding doors hinging from the wall allow maximum access and ease of entry. Will fit an area over 875mm, maximum 1350mm

This option is not handed

WF5

Luxe not available for this option

Option WF10



Tri-folding door hinging from the wall opens for maximum access to the shower area.

Left hand illustrated

WF10LH

WF10RH

Option WF11



Bi-parting doors for ease of entry, with a fixed panel. Vertical support pole, which can act as a grabrail.

Left hand illustrated

WF11LH

WF11RH

Option WF12



Twin bi-folding doors for ease of use, with a fixed panel. Vertical support pole, which can act as a grabrail.

Left hand illustrated

WF12LH

WF12RH

Option WF13



Tri-folding door hinging from the wall allowing full access in a confined room.

Left hand illustrated

WF13LH

WF13RH

Option WF18



Tri-folding door can span a wider room opening and provide full access.

Left hand illustrated

WF18LH

WF18RH

Option WF19



Twin bi-folding inline doors for maximum access.

Not handed

WF19

Option WF20



Sliding door can extend across the shower area and opens outwards. Will fit between two walls minimum 875mm and maximum 1350mm.

Left hand illustrated

WF20LH

WF20RH

Luxe not available for this option

More Options >>>>



Eco-dec®

- Create a level access wet floor area
- 24mm thick
- Quick & simple to install
- Not handed

ECO-DEC® - standard door options

The following standard white doors are also available in our LUXE Range, unless stated otherwise

Option WF21



Easy to open single door opens outwards allowing full access. Fixed panel where assisted bathing necessary.
Left hand illustrated
WF21LH
WF21RH

Option WF22



Bi-parting doors hinging from the wall and fixed panel, for easy access.
Left hand illustrated
WF22LH
WF22RH

Option WF23



Single door hinging from the vertical support pole, which can act as a grabrail.
Left hand illustrated
WF23LH
WF23RH

Option WF24



Bi-folding door hinging from the wall for ease of use and access. Vertical support pole, which can act as a grabrail.
Left hand illustrated
WF24LH
WF24RH

Option WF28



Single door with fixed front and return panels. Vertical support pole, which can act as a grabrail.
Left hand illustrated
WF28LH
WF28RH

Option WF29



Single door with a fixed panel where assisted bathing is required.
Left hand illustrated
WF29LH
WF29RH

Option WF30



Bi-parting doors with a fixed panel where assisted bathing is required.
Left hand illustrated
WF30LH
WF30RH

Option WF31



Bi-folding door with a fixed panel where assisted bathing is required.
Left hand illustrated
WF31LH
WF31RH

*'The above doors options
ARE supplied with a shower curtain
& curtain rail as standard'*

Option WF25



Bi-folding door hinging from the vertical support pole, which can act as a grabrail.
Left hand illustrated
 WF25LH
 WF25RH

Option WF26



Two fixed panels with centralised bi-parting doors. Two vertical support poles, which can act as grabrails.
This option is not handed
 WF26

Option WF27



Sliding door can extend across the shower area to meet a 500mm fixed panel. Will fit between two walls minimum 1375mm and maximum 1850mm.
Left hand illustrated
 WF27LH
 WF27RH
Luxe not available for this option

Option WF32



Twin bi-folding doors open to allow full access, with a return panel where assisted bathing is necessary.
Left hand illustrated
 WF32LH
 WF32RH

Option WF33



Bi-folding door hinging from the fixed panel. Two vertical support poles, which can act as a grabrails.
Left hand illustrated
 WF33LH
 WF33RH

Option WF34



Bi-parting doors hinging from the fixed and return panel. Two vertical support poles, which can act as a grabrails.
Left hand illustrated
 WF34LH
 WF34RH



Eco-dec®

- Create a level access wet floor area
- 24mm thick
- Quick & simple to install
- Not handed