

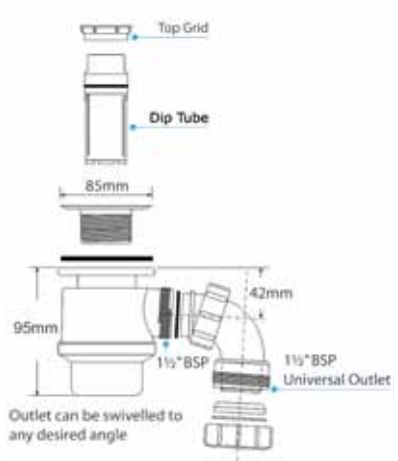
# CONTOUR Shower Wastes

The correct shower trap or gully will be supplied with your shower tray, Eco-dec® or ShowerDec®, however, you will need to state your requirement if you are using a shower waste pump, or if you require a particular item. A gravity waste is suited when you have direct access to a soil pipe or ground level drain using a fall in the outlet pipework. A pumped waste would be required if there is no direct access to take the water away or if the shower tray is sited on an unbreachable floor.

## Gravity Wastes

### STW8B-95

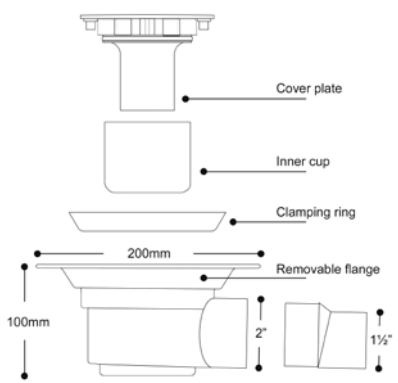
- Standard trap with 50mm water seal for use with conventional level access and low level shower trays
- Only 95mm in depth
- 85mm chrome plated, brass flange and grid fitting
- Top access trap has a removable dip tube for easy cleaning
- Flow rate approximately 26 litres per minute in 15mm head of water
- 1½" multi fit outlet, which can be swivelled to any desired angle
- Simple to install



STW8B-95	Reference 08WT08
----------	---------------------

### TSG52

- Unique 2 part, 50mm water seal trapped gully for use with a floor former
- Suitable for use with flexible sheet flooring
- Top access gully has a removable inner cup for easy cleaning
- Flow rate in excess of 40 litres per minute
- 2" horizontal outlet to BS5255 with 2" x 1½" solvent weld socket reducer
- Simple to install
- Utilise with a stainless steel adaptor if laying a tiled floor or to complement modern tastes

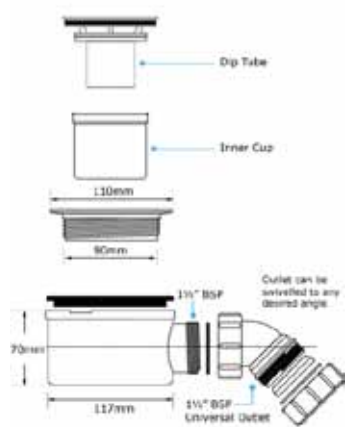


Exploded TSG52 view shown

TSG52	Reference 08GT01
TSG52 & Square Tile Adaptor	08GT02
TSG52 & Round Vinyl Adaptor	08GT03

### ST90CPB-P-70

- Standard trap with 50mm water seal for use with our Prinia tray or trays with a 90mm diameter waste
- Only 70mm in depth
- 110mm chrome plated, brass flange and petal grid fitting
- Top access trap has a removable inner cup for easy cleaning
- Flow rate approximately 35 litres per minute
- 1½" multi fit outlet, which can be swivelled to any desired angle

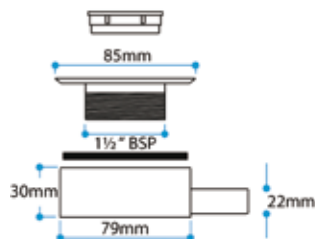


ST90CPB-P-70	Reference 08GU23
--------------	---------------------

# Pumped Wastes

## UPSW-3-22

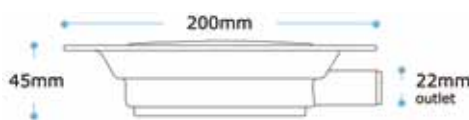
- Use with conventional level access and low level shower trays, limited floor excavation may be required.
- 85mm chrome plated, brass flange and grid fitting.
- Top access, easy to clean. No centre screw for easy access.
- Only 30mm deep.
- 22mm outlet.



UPSW-3-22	Reference 08WU01
-----------	---------------------

## USG1-WH

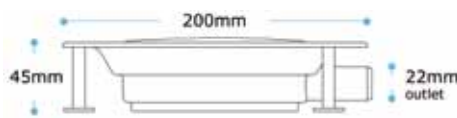
- Use with a floor former and flexible sheet flooring.
- Withstands wheelchair loadings.
- Top access, easy to clean.
- Only 45mm deep.
- 22mm outlet.
- Utilise with a tile adaptor if laying a tiled floor.



USG1-WH	Reference 08GU01
USG1-WH & Square Tile Adaptor	08GU03
USG1-WH & Round Vinyl Adaptor	08GU04

## CSG1

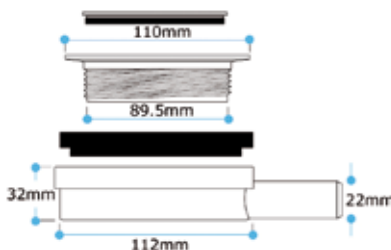
- For use when laying a traditional screeded wet floor area.
- Withstands wheelchair loadings.
- Top access, easy to clean.
- Only 45mm deep.
- 22mm outlet.
- 22mm connector provides a permanent, non-removable joint between CSG1 and pipework.
- Utilise with a tile adaptor if laying a tiled floor.



CSG1	Reference 8GU02
CSG1 & Square Tile Adaptor	08GU05
CSG1 & Round Vinyl Adaptor	08GU06

## UPSW-4

- Use with our Prinia step in shower tray or trays with a 90mm diameter waste.
- 110mm chrome plated, brass flange and petal grid fitting.
- Top access, easy to clean. No centre screw for easy access.
- Only 32mm deep.
- 22mm outlet



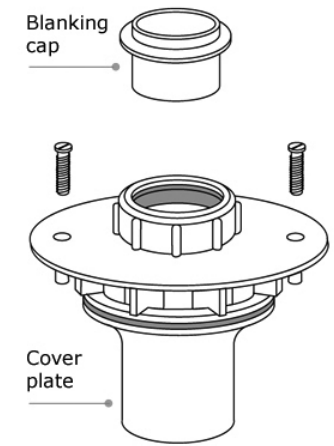
UPSW-4	Reference 08WU04
--------	---------------------

### Shower Wastes

- Suitable for gravity or pumped waste
- To suit shower trays or wet floor areas
- Tiled floor adaptor
- Stainless steel kit for a modern appearance

## CPTSG COVER PLATE

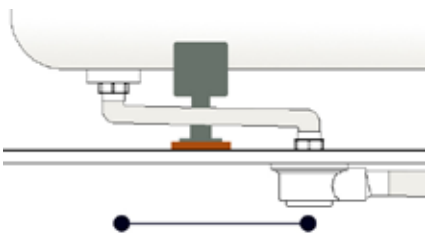
- Use as part of the Lifetime Homes Standard to connect a wetfloor gully to a bath
- Cover Plate with 1½” Universal Boss
- Convert TSG gully to suit 1½” waste pipe from a bath or seal for future use
- Withstands wheelchair loadings
- For use with TSG1, TSG50 & TSG52 shower gullies for sheet flooring
- When removed, allows gully to revert back for use as a shower drain
- Blanking cap enables gully to be sealed off
- Use in conjunction with FLEXCON2 or FLEXCON6 flexible connectors



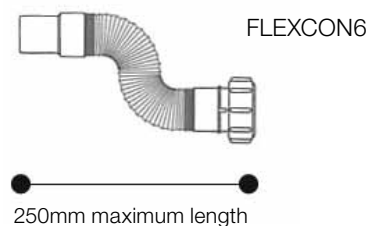
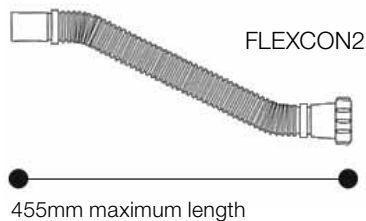
CPTSG	Reference 08GT-CP
-------	----------------------

## FLEXIBLE CONNECTORS

- 1½” flexible compression connectors offer flexibility when conventional fittings cannot be used.
- Use with CPTSG Cover Plate for a Lifetime Homes Standard adaptation.
- Plain spigot to suit multifit and universal outlet traps or waste fittings
- Universal outlet connection



Distance from bath waste to gully:  
Upto 250mm use FLEXCON6 / Upto 455mm use FLEXCON2



	Reference
Flexcon2	08FW02
Flexcon6	08FW06

## STW85CPL ASSEMBLY

This configuration can be used when there is no alternative other than to take the waste down through a solid floor to gain access below to the soil pipe, for example, in a block of flats or multi storey buildings.

Consists of:

- STW85CPL – 45mm long plastic waste flange, 85mm in width (as STW8B-95)
- Backnut
- Black rubber washer
- 18” Inlet leg, 1½” diameter
- ASC10 – Basin / sink trap with 75mm water seal
- (The ASC10 basin / sink trap is illustrated although any similar type of trap could be used)



STW85CPL will suit trays with maximum thickness of 29mm



18” inlet leg with 1½” connector.

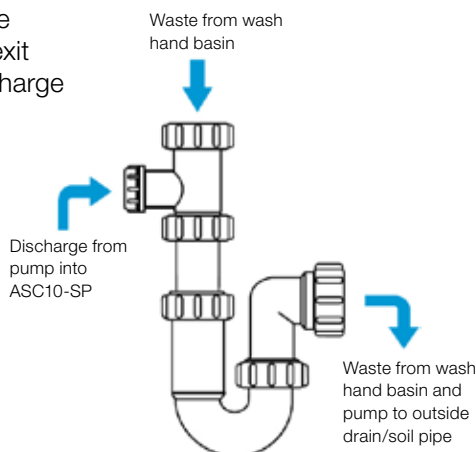
	Reference
STW85CPL-CON	08WT03

## ASC10-SP

Can receive discharge from a pump where there is no direct access for the water to exit or to avoid the need for two separate discharge pipes, for example, in a cubicle.

Consists of:

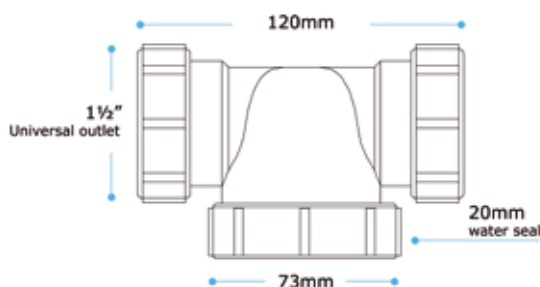
- 1½" x 75mm water seal
- Tubular swivel sink trap
- Adjustable inlet and connection for 19 / 23mm pipe.
- 75mm water seal



ASC10-SP	Reference 08WT10
----------	---------------------

## TRSH10

- Running trap with 20mm water seal
- 1½" universal outlets
- Bottom access for easy cleaning
- Flow rate approximately 12 litres per minute
- No floor excavation required
- Simple to install
- Utilise with an above ground tray which has options as to where the waste can exit

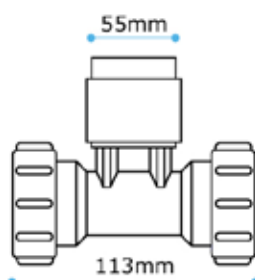


PLEASE CHECK WITH YOUR LOCAL WATER AUTHORITY BEFORE INSTALLING

TRSH10	Reference 08WT04
--------	---------------------

## VP3 VENTAPIPE

- Ventapipes air admittance valves can be used as alternatives to Anti-Syphon and Resealing traps to ventilate the waste pipe system in order to overcome problems such as noisy discharge.
- Particularly advantageous when installing additional appliances to existing waste pipe.
- Must be fitted vertically in a horizontal pipe run and in close proximity.
- Integral 1½" multi-fit tee



VP3	Reference 08C-VP3
-----	----------------------

### Shower Wastes

- Suitable for gravity or pumped waste
- To suit shower trays or wet floor areas