

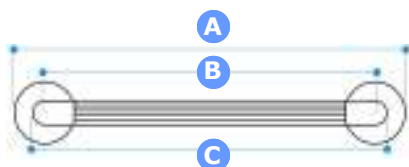
# CONTOUR Fluted Grabrails

## Providing stability and confidence

The additional of a grabrail can offer the user the added reassurance and assistance they may need when using the shower area. Choose from a variety of affordable, durable and practical sizes, as well as colours to assist the visually impaired.

The BS8300:2001 recommendation for grabrail height from the floor in the design of buildings to meet the needs of disabled people are as follows:  
 Diagonally (approx 15°) – Lowest end near the seat, 680mm from the floor.  
 Vertically: Between 800mm and 1300mm  
 Horizontally: Between 1050mm and 1405mm

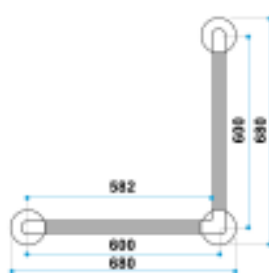
### FLUTED GRABRAIL



- Fluted detail offers the user a positive grip in and around the shower area
- Variety of sizes to suit any shower area
- Concealed wall fixings
- Multiple holes for fixing to the wall, for a more secure installation
- Made from strong 36mm diameter PVC tubing
- Available in White, Yellow or Blue to assist the visually impaired

Length	DIMENSIONS			REFERENCE		
	A	B	C	White	Yellow	Blue
300mm	385	300	340	03F300W	03F300Y	03F300B
450mm	535	450	490	03F450W	03F450Y	03F450B
600mm	685	600	640	03F600W	03F600Y	03F600B

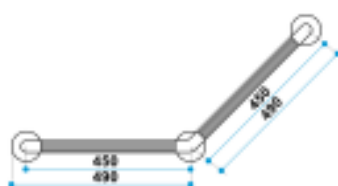
### 90° ANGLED FLUTED GRABRAIL



- Combines the convenience of a horizontal and vertical grabrail for an assured grip
- Fluted detail offers the user a positive grip in and around the shower area
- Available in White, Yellow or Blue to assist the visually impaired
- Made from strong 36mm diameter PVC tubing
- Left or right hand available

	White	Yellow	Blue
LH Reference	03FA90LHW	03FA90LHY	03FA90LHB
RH Reference	03FA90RHW	03FA90RHY	03FA90RHB

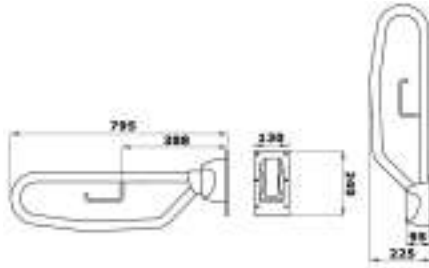
### 135° ANGLED FLUTED GRABRAIL



- Angled grabrail allows people with a weaker grip to use their forearm for extra leverage
- Fluted detail offers the user a positive grip in and around the shower area
- Available in White, Yellow or Blue to assist the visually impaired
- Made from strong 36mm diameter PVC tubing
- Left or right hand available

	White	Yellow	Blue
LH Reference	03FA135LHW	03FA135LHY	03FA135LHB
RH Reference	03FA135RHW	03FA135RHY	03FA135RHB

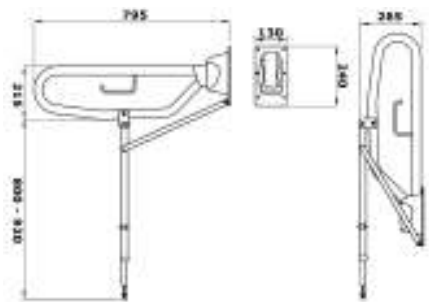
## HINGED ARM SUPPORT



- Mounted by the side of a WC, shower or wash basin providing a safe way of sitting down and standing up or for making a transfer.
- Arm locks automatically in the upright position
- Made from 35mm diameter, epoxy coated steel tubing
- Integrated toilet roll holder
- Available in white as standard and yellow and blue also to assist the visually impaired
- Will withstand weights of up to **127kg, 20 stones**

	White	Yellow	Blue
Reference	03HAW	03HAY	03HAB

## HINGED ARM SUPPORT WITH LEG



- Identical to the above Hinged Arm Support but integrates a support leg.
- Leg provides additional support and strength
- Leg is adjustable in height, upto 120mm
- Adjustable foot with anti-slip pad for final height adjustment
- Available in white as standard and yellow and blue also to assist the visually impaired
- Will withstand weights of up to **228kg, 36 stones**

	White	Yellow	Blue
Reference	03HALW	03HALY	03HALB

## NEWEL RAIL



- Mounted to the newel post, additional support rail for users who require further stability at the foot of the stairs
- Made from 25mm diameter steel tubing, epoxy coated white
- Left or right hand available

	White
LH Reference	03NRLH
RH Reference	03NRRH

## Fluted Grabrails

- Fluted grabrails for a positive grip
- Hinged arm supports can be located next to a WC, shower or wash basin
- Colours available to assist the visually impaired

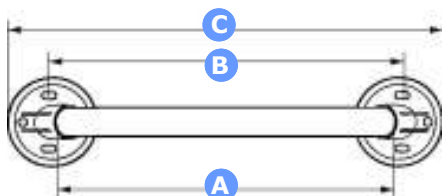
# CONTOUR Ergo-grip Grabrails

## ERGO-GRIP GRABRAIL

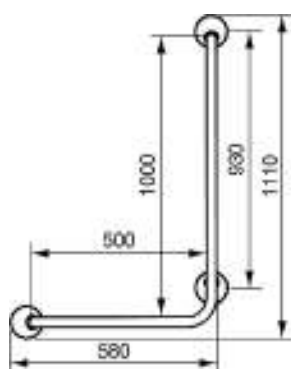


- Sturdy, wall mountable design
- Manufactured from steel tube with a high quality epoxy coating
- Smooth profile ensures a steady grip whilst bathing and when entering or exiting the shower area
- Variety of sizes to suit any shower area
- Available in yellow and blue also to assist the visually impaired

Length	DIMENSIONS			REFERENCE		
	A	B	C	White	Yellow	Blue
300mm	300	317	405	03G300W	03G300Y	03G300B
400mm	400	417	505	03G400W	03G400Y	03G400B
600mm	600	617	705	03G600W	03G600Y	03G600B



## 90° ANGLED GRABRAIL



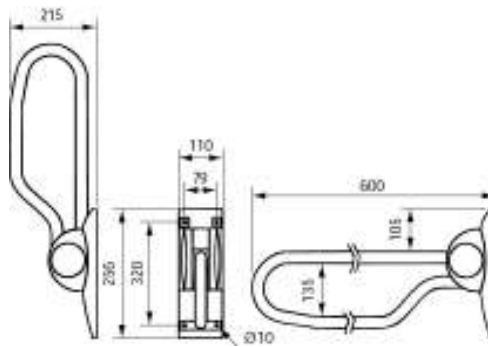
- 90° wall mountable grabrail
- Combines the convenience of a horizontal and vertical grabrail for an assured grip
- Available in White, Yellow or Blue to assist the visually impaired
- Manufactured from steel tube with a high quality epoxy coating
- Left or right hand available

	White	Yellow	Blue
LH Reference	03A90LHW	03A90LHY	03A90LHB
RH Reference	03A90RHW	03A90RHY	03A90RHB

**HINGED ARM SUPPORT**



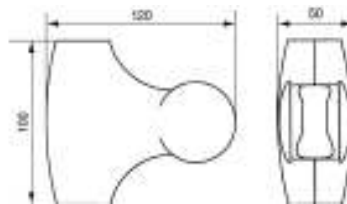
Also shown above, optional toilet roll holder, Reference 15TRW. (WC not supplied)



- Mounted by the side of a WC providing a safe way of sitting down and standing up or for making a transfer.
- Withstands lateral pressure up to 100kg and vertical pressure of up to 150kg.
- Arm locks automatically in the upright position and is therefore a firm support at all times.
- Plastic wall plate with tube of coated steel
- Available in yellow and blue also to assist the visually impaired

	White	Yellow	Blue
Reference	03H600W	03H600Y	03H600B

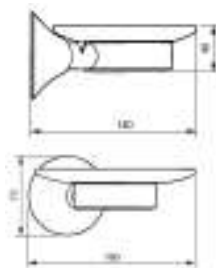
**SHOWER HOLDER**



- Combine with Ergogrip angled or straight grabrail, providing a safe shower rail
- Plastic construction
- Can be fitted after grabrail installation
- Light and easily adjustable
- Suitable for conical shaped collar of shower tube

	White	Yellow	Blue
Reference	06SHW	06SHY	06SHB

**SOAPDISH**



- Wall mountable plastic soapdish
- Dishes flat surface allows easy grabbing of soap
- Includes stainless steel fixings
- Available in White, Yellow or Blue to assist the visually impaired

	White	Yellow	Blue
Reference	15SSDW	15SSDY	15SDB

**Ergo-grip Grabrails**

- Straight or angled grabrails
- Hinged arm supports can be located next to a WC, shower or wash basin
- Colours available to assist the visually impaired