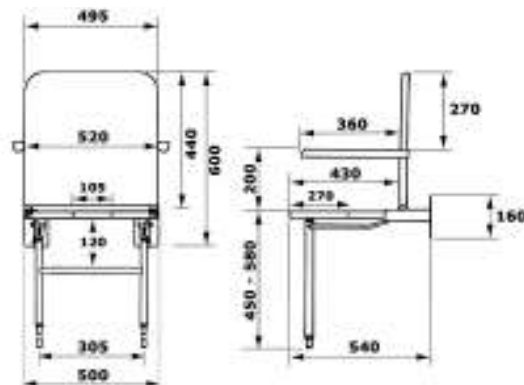


The addition of a shower seat will make the showering event a more comfortable experience. Easily fitted to any wall type, they can fold away against the wall when other users are using the shower. Options include colours to assist the visually impaired, back and armrests for additional support and padded seats for additional comfort.



CONTOUR DUO SHOWER SEAT

- Unique 2 in 1 wall fixed seat. Removable seat section reveals an aperture to assist with personal bathing
- Large removable padded seat and back
- Independent, padded, fold up arm rests
- Seat cushions can be quickly and easily removed for cleaning
- Leg adjustment by up to approximately 130mm. Can be fitted at a height to suit the user
- Robust aluminium frame and polyurethane construction
- 1 year warranty
- **MAXIMUM USER WEIGHT: 190kg**



Can be used without the seat and back rest padding



Will fold compactly against the wall when not in use. When folded seat protrudes 225mm into the shower area



Removable seat section to assist with personal bathing



Independent, padded, fold up armrests



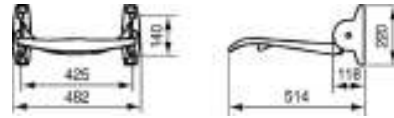
Removable clip for leg height adjustment. Fine adjustment achieved with the adjustable feet

Ref No 07SS30



SHOWER SEAT

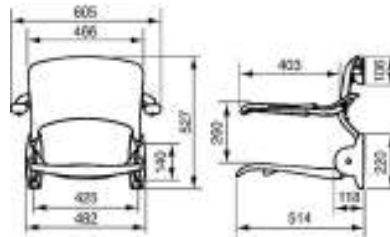
- Glassfibre reinforced nylon shower seat
- Available in yellow and blue also to assist the visually impaired
- Seat hinges from the wall bracket
- When in the folded position, the seat protrudes 170mm into the shower area
- *We highly recommend using Double floor support, 07SL01, with this seat*
- **MAXIMUM USER WEIGHT: 150kg**



	White	Yellow	Blue
Ref No	07SS01W	07SS01Y	07SS01B

SHOWER SEAT WITH BACK & ARM RESTS

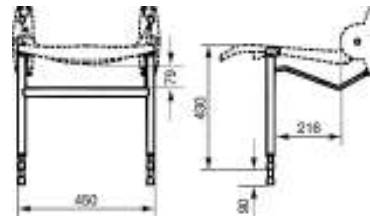
- Glassfibre reinforced nylon shower seat with back rest and independent swivel armrests
- Armrests offer lateral stability and assist the user with standing up
- Available in yellow and blue also to assist the visually impaired
- Seat hinges from the wall bracket
- When in the folded position, the seat protrudes 170mm into the shower area
- *We highly recommend using Double floor support, 07SL01, with this seat*
- **MAXIMUM USER WEIGHT: 150kg**



	White	Yellow	Blue
Ref No	07SS02W	07SS02Y	07SS02B

DOUBLE FLOOR SUPPORT

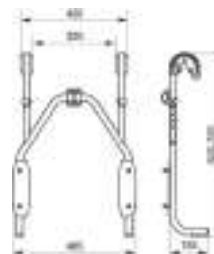
- Leg adjustment from approximately 450mm – 500mm
- Use if there is any doubt about the strength of the wall & when utilising with a shower tray
- Hinges automatically when folding the seat
- Available in White, Yellow or Blue to assist the visually impaired
- *Use with Seats 07SS01 & 07SS02*
- **MAXIMUM USER WEIGHT: 150kg**



	White	Yellow	Blue
Ref No	07SL01W	07SL01Y	07SL01B

CLICK ON FRAME FOR SHOWER SEAT

- Create a non-permanent seating area within the shower.
- Click on frame 'locks' and hangs from a grabrail, and can be removed without the use of specialist tools
- Adjustable height to suit individual or multiple users
- Available in White, Yellow or Blue to assist the visually impaired
- *Use with Seats 07SS01 & 07SS02*
- **MAXIMUM USER WEIGHT: 150kg**



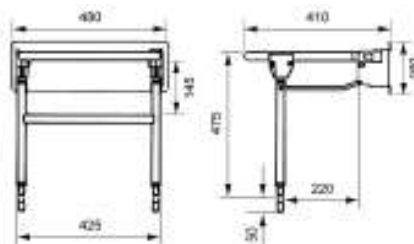
	White	Yellow	Blue
Ref No	07SF01W	07SF01Y	07SF01B

Shower seats

- Back and arm rest options for added stability
- Colours to assist the visually impaired
- Padded seats for additional comfort
- Easy to install to suit individual user

WALL FIXED SHOWER SEAT

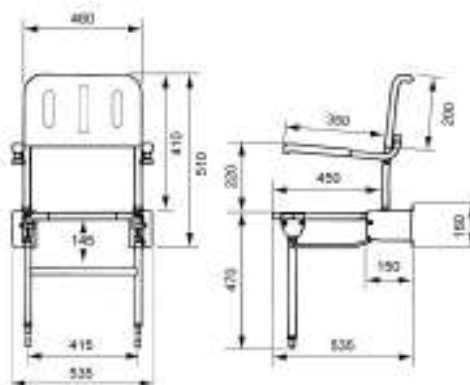
- Clip on plastic moulded seat, with drainage holes
- Leg adjustment by up to 50mm in height. Can be fitted at a height to suit the user
- Seat easily removable for cleaning
- Hinging from a wall bracket, both legs and seat fold compactly against the wall when not in use.
- **MAXIMUM USER WEIGHT: 160kg**



Ref No 07SS50

WALL FIXED SHOWER SEAT with BACK & ARMRESTS

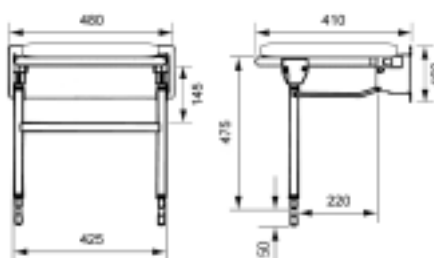
- Clip on plastic moulded seat, with back rest and independent flip up arm rests
- Leg adjustment by up to 50mm in height. Can be fitted at a height to suit the user
- Seat and back rest easily removable for cleaning
- Armrests offer lateral stability and assist the user with standing up
- Folds compactly against the wall when not in use
- **MAXIMUM USER WEIGHT: 160kg**



Ref No 07SS51

PADDED SHOWER SEAT

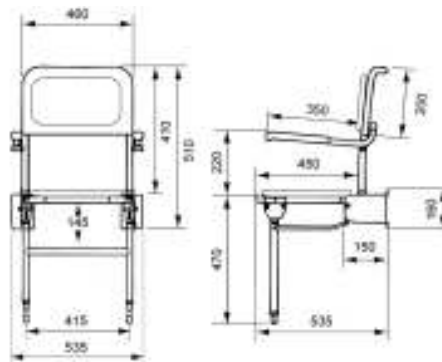
- Clip on, moulded, padded seat for added comfort
- Leg adjustment by up to 50mm in height. Can be fitted at a height to suit the user
- Seat easily removable for cleaning
- Hinging from a wall bracket, both legs and seat fold compactly against the wall when not in use.
- **MAXIMUM USER WEIGHT: 160kg**



Ref No 07SS52

WALL FIXED SHOWER SEAT with BACK & ARMRESTS

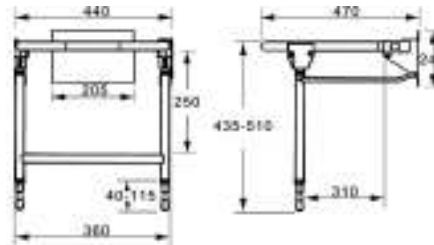
- Clip on, moulded, padded seat and back rest with independent flip up arm rests
- Leg adjustment by up to 50mm in height. Can be fitted at a height to suit the user
- Seat and back rest easily removable for cleaning
- Folds compactly against the wall when not in use
- Flip up arm rests
- **MAXIMUM USER WEIGHT: 160kg**



Ref No 07SS53

HORSE SHOE SHOWER SEAT

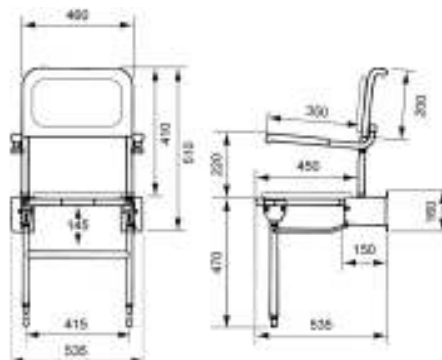
- Clip on, moulded, plastic horse shoe seat
- Leg adjustment by up to 70mm in height. Can be fitted at a height to suit the user
- Horse shoe aperture assists with personal bathing
- Seat easily removable for cleaning
- Folds compactly against the wall when not in use
- **MAXIMUM USER WEIGHT: 160kg**



Ref No 07SS54

PADDED HORSE SHOE SHOWER SEAT

- Clip on, moulded, padded horse shoe seat with back rest and independent flip up arm rests
- Leg adjustment by up to 50mm in height. Can be fitted at a height to suit the user
- Horse shoe aperture assists with personal bathing
- Seat easily removable for cleaning
- Folds compactly against the wall when not in use
- Flip up arm rests
- **MAXIMUM USER WEIGHT: 127kg**



Ref No 07SS55

Shower seats

- Back and arm rest options for added stability
- Colours to assist the visually impaired
- Padded seats for additional comfort
- Easy to install to suit individual user