

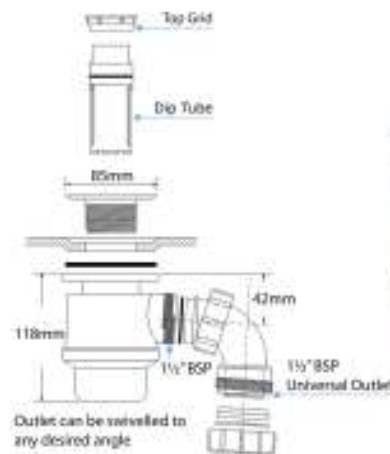
# CONTOUR Shower wastes

The correct shower trap or gully will be supplied with your shower tray or ShowerDec®, however, you will need to state your requirement if you are using a shower waste pump, or if you require a particular item. A gravity waste is suited when you have direct access to a soil pipe or ground level drain using a fall in the outlet pipework. A pumped waste would be required if there is no direct access to take the water away or if the shower tray is sited on an unbreachable floor.

## Gravity Wastes

### STW8-RB

- Standard trap with 50mm water seal for use with conventional level access and low level shower trays
- 85mm chrome plated, brass flange and grid fitting
- Top access trap has a removable dip tube for easy cleaning
- Flow rate approximately 26 litres per minute in 15mm head of water
- 1½" multi fit outlet, which can be swivelled to any desired angle
- Simple to install

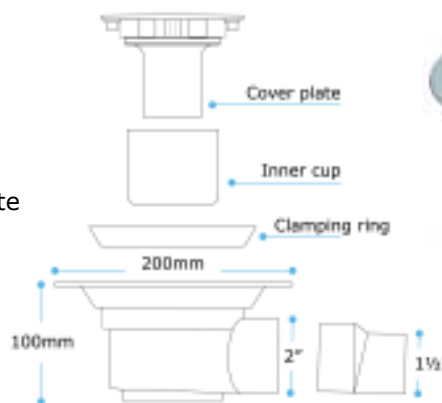


REFERENCE

STW8-RB      08WT01

### TSG50

- 50mm water seal trapped gully for use with a floor former
- Suitable for use with flexible sheet flooring
- Top access gully has a removable inner cup for easy cleaning
- Flow rate in excess of 40 litres per minute
- 2" horizontal outlet to BS5255 with 2" x 1½" solvent weld socket reducer
- Simple to install
- Utilise with an adaptor if laying a tiled floor or to complement modern tastes, see opposite

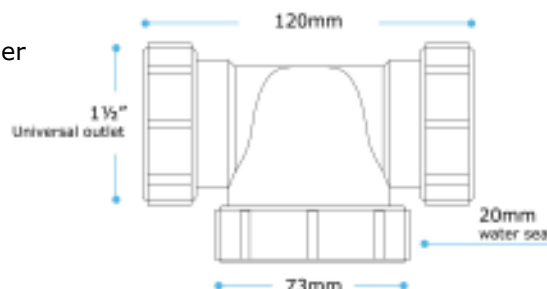


REFERENCE

TSG50      08GT01  
 TSG50 & Square Tile Adaptor      08GT02  
 TSG50 & Round Vinyl Adaptor      08GT03

### TRSH10

- Running trap with 20mm water seal
- 1½" universal outlets
- Bottom access for easy cleaning
- Flow rate approximately 12 litres per minute
- No floor excavation required
- Simple to install
- Utilise with an above ground tray which has options as to where the waste can exit



REFERENCE

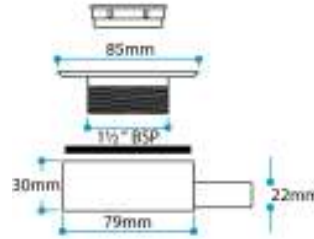
TRSH10      08WT04

**PLEASE CHECK WITH YOUR LOCAL WATER AUTHORITY BEFORE INSTALLING**

# Pumped Wastes

## UPSW-3-22

- Use with conventional level access and low level shower trays, limited floor excavation may be required
- 85mm chrome plated, brass flange and grid fitting
- Top access, easy to clean. No centre screw for easy access
- Only 30mm deep
- 22mm outlet



REFERENCE

UPSW-3-22 08WU01

## USG1-WH

- Use with a floor former and flexible sheet flooring
- Withstands wheelchair loadings
- Top access, easy to clean
- Only 45mm deep
- 22mm outlet
- Utilise with a tile adaptor if laying a tiled floor, see below



REFERENCE

USG1-WH 08GU01

USG1-WH & Square Tile Adaptor 08GU03

USG1-WH & Round Vinyl Adaptor 08GU04

## CSG1

- For use when laying a traditional graded wet floor area
- Withstands wheelchair loadings
- Top access, easy to clean
- Only 45mm deep
- 22mm outlet. 22mm connector provides a permanent, non-removable joint between CSG1 and pipework
- Utilise with a tile adaptor if laying a tiled floor, see below



REFERENCE

CSG1 08GU02

CSG1 & Square Tile Adaptor 08GU05

CSG1 & Round Vinyl Adaptor 08GU06

## GULLY ADAPTORS

A 150mm, 2 piece, square stainless steel top flange, that can be used with a gravity or pumped gully when laying floor tiles to a wet floor area. 8mm depth for tiles to butt up against.

A 125mm, 2 piece, round stainless steel top flange, that can be used with a gravity or pumped gully when laying vinyl sheet flooring to a wet floor area, for a modern appearance.



Square gully adaptor for tiled floors



Round adaptor for vinyl sheet flooring

The addition of a stainless steel adaptor will give the bathroom a modern appearance. Removable centre grids allow for easy cleaning. Reference codes are listed under the relevant traps and gullies.

## Shower Wastes

- Suitable for gravity or pumped waste
- To suit shower trays or wet floor areas
- Tiled floor adaptor
- Stainless steel kit for a modern appearance