

# CONTOUR

built-in independence

## WASH HAND BASINS

- D shaped, 2 tap hole basin with overflow, chain hole & fischer fixings.
- Chrome waste with plug & chain.
- Full, semi pedestal or wall mounted options available.
- **450mm wide washbasin:** 385mm projection.
- **550mm wide washbasin:** 470mm projection.
- Supplied with a pair of Bristan 1/4 turn, 3" lever taps
- Manufactured from white, vitreous china.
- Conforms to BS EN 14688.



450mm or 550mm washbasin, wall hung



450mm or 550mm washbasin, full pedestal



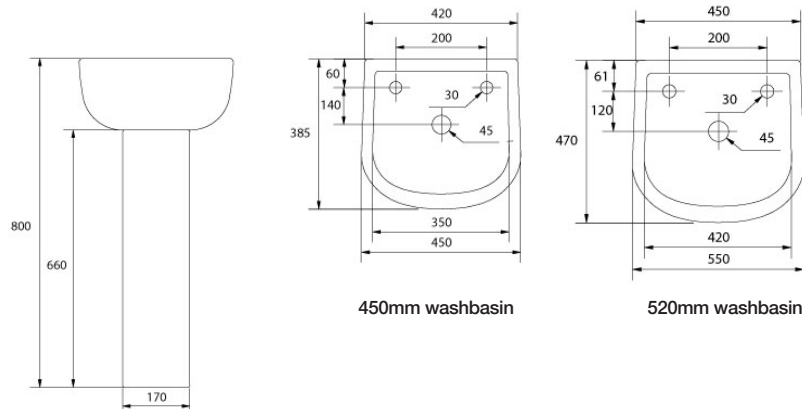
450mm or 550mm washbasin, semi pedestal



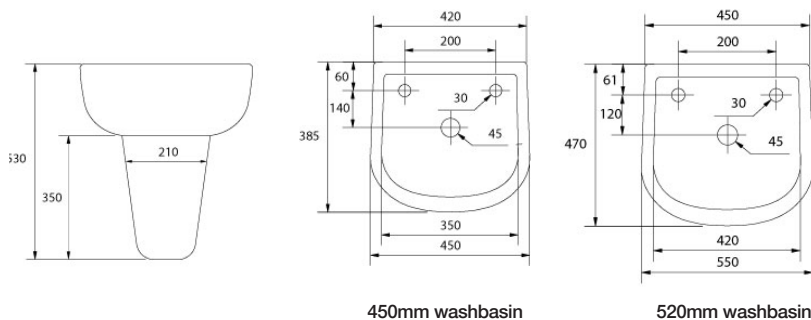
Supplied with Bristan 3" lever taps

Description	Reference
450mm washbasin, wall hung, lever taps	04PACK-4500
550mm washbasin, wall hung, lever taps	04PACK-5500
450mm washbasin, full pedestal, lever taps	04PACK-4501
550mm washbasin, full pedestal, lever taps	04PACK-5501
450mm washbasin, semi pedestal, lever taps	04PACK-4502
550mm washbasin, semi pedestal, lever taps	04PACK-5502

### Full pedestal washbasins



### Semi pedestal washbasins



Contour Showers Limited, Siddorn Street, Winsford, Cheshire CW7 2BA  
 T: 01606 592586 F: 01606 861260  
 E: sales@contour-showers.co.uk  
 W: www.contour-showers.co.uk  
 Registered No. 1347879



Established 1959