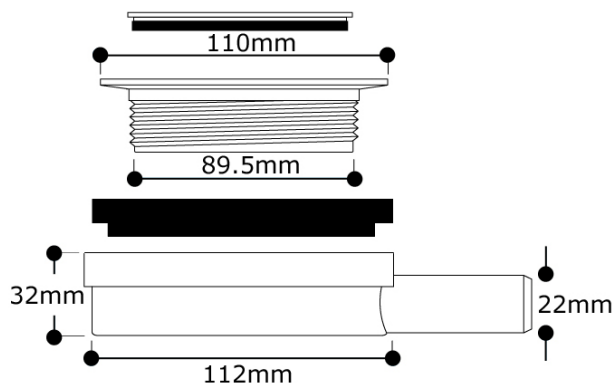


## UPSW-4 PUMPED SHOWER WASTE

### FEATURES

- Chrome plated brass flange suitable for shower trays with a 90mm waste hole.
- Overall height: 32mm.
- Flange chrome plated - Petal.
- For use with a shower waste pump where normal gravity discharge is not possible.
- 22mm plain tail.
- Removable 113mm flange facilitates easy cleaning.
- Manufactured in white Polypropylene.
- Simple to install.
- Fits Eagle TWO, Falcon 40 & Prinia shower trays.



Description	Reference
UPSW-4	08WU04