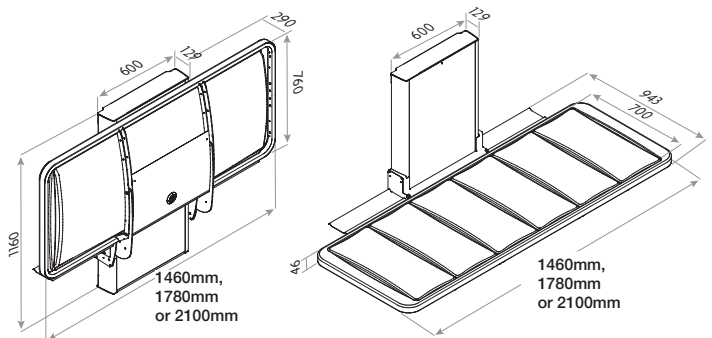




HEIGHT ADJUSTABLE CHANGING BED

- When a person needs to be bathed lying down.
- Bed can be lowered for the person to be transferred.
- Electrical height adjustment from 300mm - 1000mm.
- Bed slats can be easily removed for cleaning & have a hard & soft side which can be used as needed.
- Water tray catches most of the shower water so carers stay drier.
- Can be folded up against the wall when not in use.
- 3 size options, available lying area is 180mm shorter than bed.
- Optional safety end guards & side rails.



Description	Reference
Changing Bed 1460mm	04SB-R25023
Side Rail 1460mm	04SB-R25034
Changing Bed 1780mm	04SB-R25026
Side Rail 1780mm	04SB-R25036
Changing Bed 2100mm	04SB-R25029
Side Rail 2100mm	04SB-R25035
End Guard	04SB-R25038



SWINGLINE WASH BASIN

- Improves hygiene & dignity by moving the basin to within reach of a person in a wheelchair or on a toilet.
- Carers can move the basin away to create space for safer transfer methods.
- Ideal for smaller rooms where access is limited.
- Shape & size of the washbasin ensures users can use the basin from the front or sides.
- White gloss basin is warm to the touch & impact resistant.
- Raised rim makes the basin easy to manoeuvre from any angle.
- Discrete, flexible plumbing is integrated within the arm. Long cover option conceals plumbing.
- Wash basin mixer tap requires 1.5 bar pressure.
- Wash basin arm & basin both swing by 180°.
- Height adjustable options require Flexaxle, supplied separately. Adjustable by 150mm.

Description	Reference
Swingline Wash Basin, Short Cover	04WB-R41110
Swingline Wash Basin, Long Cover	04WB-R41120
Adjustable Swingline Wash Basin, Short Cover	04WB-R41130
Adjustable Swingline Wash Basin, Long Cover	04WB-R41140
Flexaxle	04WB-RH01

