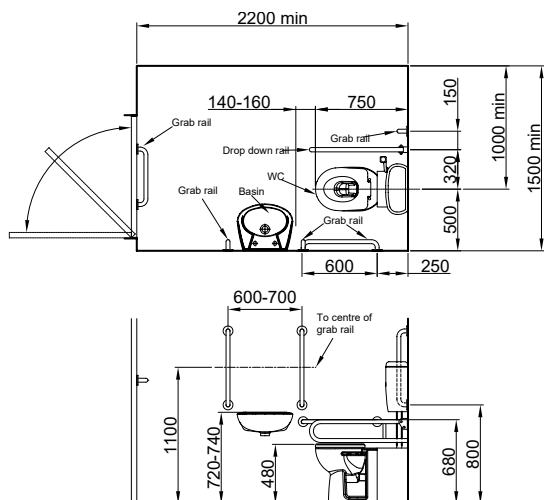
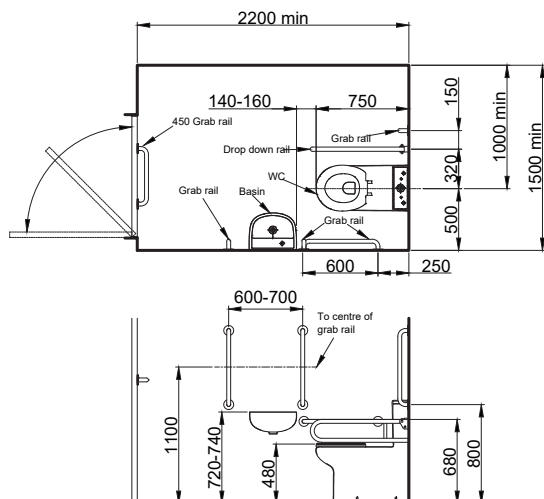


**LOW LEVEL LAYOUT DRAWING**



Contour Showers Doc M Packs are approved by LABC (formerly LANTAC) to meet Local Authority requirements. The Low Level pack is delivered in one box with the LABC certificate & layout drawing.

**CLOSE COUPLED LAYOUT DRAWING**



Layout drawings are for guidance only. Refer to relevant building regulations. (Only Doc M components illustrated).

**DOC M packs consists of:**

- 1 x WC Pan & Cistern (Spatula lever)
- 5 x 600mm Grabrails
- 1 x 890mm Hinged Arm Support (Friction stay)
- 1 x Backrest & Rail (**Low Level only**)
- 1 x 450mm Basin with Brackets
- 1 x Sequential Mixer Tap
- 1 x Trap
- 1 x Waste
- 1 x Toilet Seat



Doc M Pack	Low Level	Close Coupled	Close Coupled Lockable
White, RAL9016	10DM-LLW	10DM-CCW	10DM-LOCKW
Blue, RAL5011	10DM-LLB	10DM-CCB	10DM-LOCKB
Grey, RAL7005	10DM-LLG	10DM-CCG	10DM-LOCKG



**DOC M PACKS**

**LOW LEVEL**

- Ideal for ground floor use.
- Height of the pan with the seat is 480mm which is the correct height for transfer from wheelchair to the WC.
- Toilet seat has lateral movement buffers for safe & steady transfer & also incorporates an antibacterial agent for improved hygiene.
- Complete with backrest & rails for comfortable use.

**CLOSE COUPLED**

- A stylish option & provides all the features required in Document M.
- The basin has 2 tap holes to allow the mixer tap to be positioned closest to the user to eliminate stretching.
- If using with an inline thermostatic temperature control valve the sequential basin mixer can be set to control the temperature.

**NEW** Close Coupled Doc M pack with the added benefit of a lockable cistern.