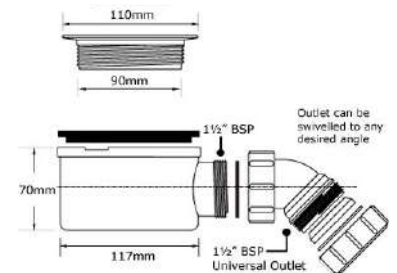


STW8B-95, for Swift &amp; Falcon 40 shower trays



ST90CPB-P-70, for Eagle TWO, Falcon 30 &amp; Prinia shower trays

## SHOWER WASTES

### GRAVITY - SHOWER TRAY

- A selection of gravity shower tray wastes with a 50mm water seal trap.
- For use with level access, low level or step-in shower trays.
- Removable dip tube or inner cup for easier cleaning.

#### STW8B-95

- 85mm chrome plated flange & grid fitting.
- Maximum flow rate approximately 22 litres per minute in 15mm head of water.

#### ST90CPB-P-70

- 110mm chrome plated flange & petal grid fitting.
- Maximum flow rate approximately 34 litres per minute in 15mm head of water.

### GRAVITY - FLOOR FORMER

- Push on cover plate. Top access, easy to clean.
- Manufactured in white ABS, will withstand wheelchair loadings.

#### CTW01

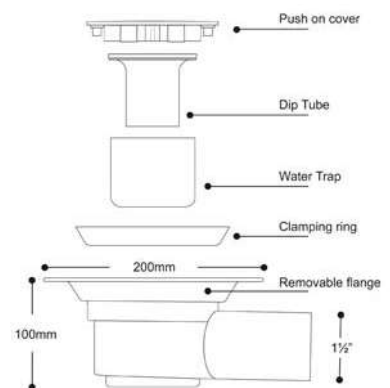
- 2 part, 50mm water seal trapped waste with removable inner cup for cleaning.
- Maximum flow rate in excess of 26 litres per minute.
- Tested in accordance with EN274-2:2002.

#### VSG1 NON-RETURN VALVE

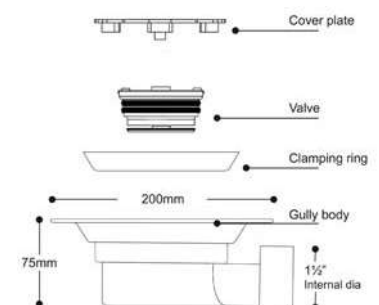
- Where depth is restricted VSG1 valve is a substitute for a regulatory water seal trap.
- Minimum flow rate of 30 litres per minute in 15mm head of water.
- Supplied with FLEXCON6 1 1/2" flexible compression connector.

#### TSG52 GULLYS

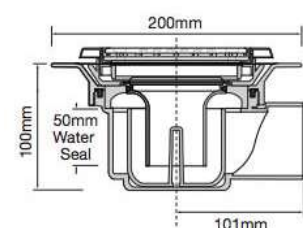
- 2 part, 50mm water seal trapped gully with maximum flow rate in excess of 40 l/m.
- Stainless steel options available for a modern appearance or for tiled floors.
- 150mm stainless steel square option for use with floor tiles, (8mm depth).



CTW01, for wetroom floor formers



VSG1, for wetroom floor formers



TSG52, for wetroom floor formers