

500mm WASH HAND BASINS

500mm wide wash hand basin with 1 tap hole. Full pedestal, semi pedestal and wall hung options available.

Easy to install and supplied with Bristan Lever Mono Mixer Tap or Bristan Monobloc SOLO TMV3 Mono Basin Mixer with Short Lever Handle.

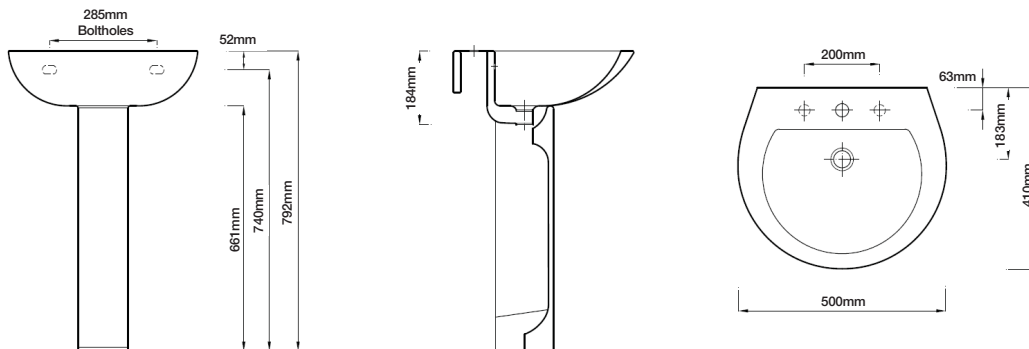
- D shaped, 1 tap hole basin.
- With internal overflow, chrome overflow ring & fixing bolt set.
- 1¼" Flip plug basin waste slotted, chrome plated.
- Manufactured from white vitreous china.
- 410mm projection.
- Wall hung, semi pedestal and full pedestal options available.
- Conforms to BS EN 14688.
- See overleaf for mixer tap details.



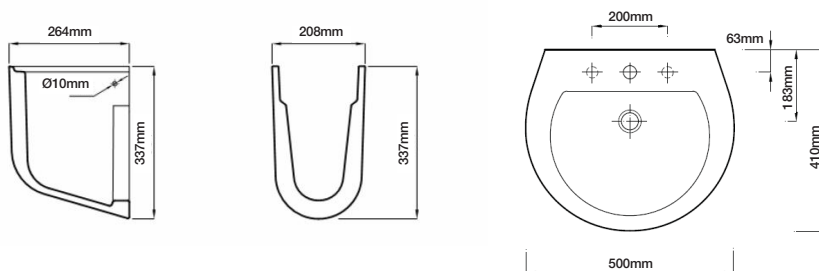
500mm washbasin, full pedestal illustrated

Description	Reference
500mm washbasin, wall hung, mixer tap	04PACK-5000A
500mm washbasin, full pedestal, mixer tap	04PACK-5001A
500mm washbasin, semi pedestal, mixer tap	04PACK-5002A
500mm washbasin, wall hung, TMV3 mixer tap	04PACK-5000B
500mm washbasin, full pedestal, TMV3 mixer tap	04PACK-5001B
500mm washbasin, semi pedestal, TMV3 mixer	04PACK-5002B

Full pedestal washbasins



Semi pedestal washbasins



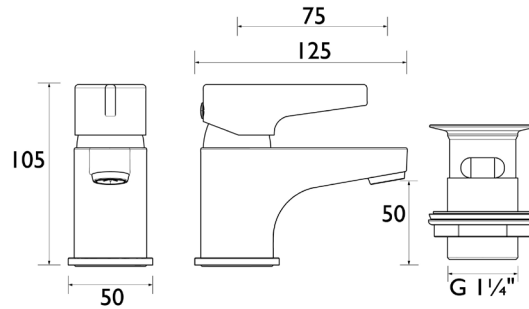
Bristan Design Mixer Tap

BRISTAN
TAPS & SHOWERS

- A classic basin mixer tap with and easy to use controls
- Long life ceramic cartridge for added durability and ease of use
- Metal fixing nut for added durability
- Includes clicker waste
- Extended wide lever handle for ease of movement with clear hot or cold indicators
- Max Water Temp (c): 65
- Inlet Connection: M10 x 15mm screw in copper pipes
- Handle Type: Lever
- Plumbing Info: Suitable for all plumbing systems

ADDITIONAL INFORMATION

- Width: 50mm
- Projection: 125mm
- Height: 105mm
- Tap Type: Basin
- Minimum Pressure: 0.2
- Maximum Pressure: 5



Bristan Monobloc TMV3 Mixer Solo2

BRISTAN
TAPS & SHOWERS



- Easy to use single sequential control for temperature and flow
- Automatic thermostatic shut-off in the event of hot or cold water failure
- Above basin access to serviceable parts, limiting down time
- Supplied with 15mm Compression copper tails
- Suitable for all plumbing systems, low pressure(example gravity fed) and high pressure(example combi boiler), within specified pressures
- Max Water Temp (c): 60
- Outlet Connection: Open or Aerator options available
- Inlet Connection: 15mm Compression copper tails
- Handle Type: Lever
- Plumbing Info: Suitable for all plumbing systems, ideally balanced

ADDITIONAL INFORMATION

- Width: 60mm
- Projection: 155mm
- Height: 155mm
- Minimum Pressure: 0.2
- Maximum Pressure: 5

