

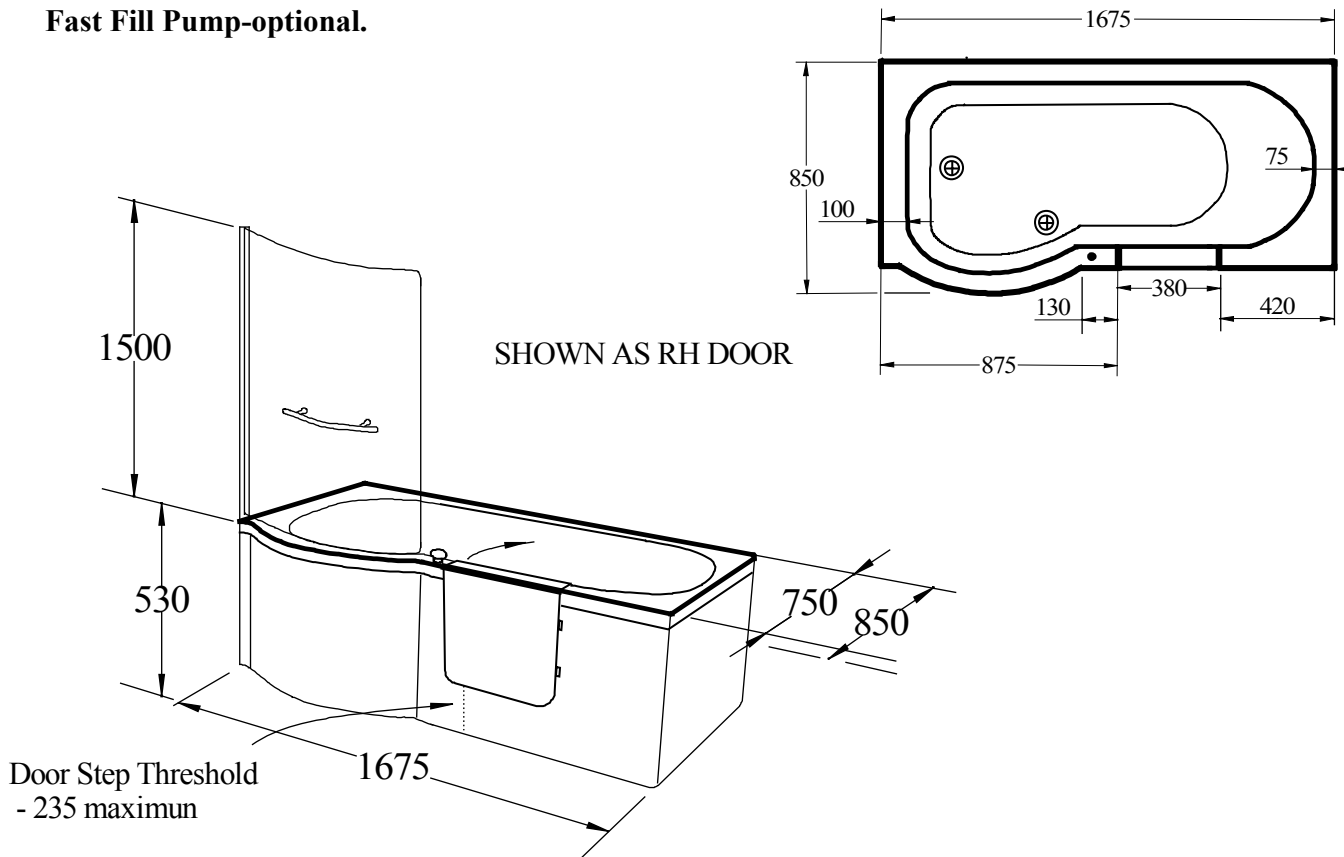
# Brereton Installation Guide.

The Brereton Shower Bath is supplied with the following components:-  
Bath (LH or RH door opening) with Front Panel & Optional End Panel  
Shower Screen  
Twin Waste kit  
2 x Wall Brackets

**CONTOUR**  
built-in independence

## Other Items Required:

Thermostatic Valve (TMV22 for high flow rate). **MUST BE INSTALLED IN ALL CASES**  
Bath Taps/Shower mixer.  
Fast Fill Pump-optional.



## IMPORTANT NOTES

The bath is supplied with 7 adjustable feet. 5 are fitted with 2 outrigger legs supplied loose. It has a water capacity of 225 Litres unoccupied. Bath is filled only when user has entered and shut the door consequently taps must be thermostatically controlled.

Installation is similar as for a standard bath except that twin wastes are supplied to increase drainage rate & to ensure the bath can be drained if one waste fails. The bath should be installed rigidly to ensure there will be no movement or sagging of the floor when bath is used.

Consideration should be given to lowering the wastes below the floor level to keep the step threshold to a minimum to assist customer's ability to step into the bath. Use only shallow waste traps.

If fitting in an alcove ensure the bath freely goes into position as sideways pressure can distort the doorway.

The Brereton is manufactured in glass fibre. When handling, proceed with care and caution, in particular the bath edges are more brittle than in acrylic baths.

## **Standard Fitting Guide.**

- 1) **Fit the wall fixing brackets to back of back of the bath timber frame for fixing the bath to the wall.**
- 2) **Secure the 2 loose feet supplied to the plastic sockets underneath the bath.**
- 3) **Drill and affix Taps.**
- 4) **Fit the 2 wastes, overflows and waste traps supplied**
- 5) **Place bath in position and adjust to minimum height.**

**Note: It is advisable to fix batten runs on to the floor under the bath feet to avoid extending the legs to far & to ensure feet sit squarely and flat. On a wooden floor batten runs (3" x 2" minimum) should be positioned squarely across the floor boards to spread & support the load.**

- 6) **Level bath in all planes using the 7 adjustable feet and lock the feet. Ensure Bath Foot underneath doorway is cranked up to support bath well**
- 7) **Mark wall fixings and plumbing runs.**
- 8) **Remove bath, drill in wall fixings where accessible and run plumbing into position.**
- 9) **Re-position bath and fix to the floor via all seven bath-feet. Ensure the bath foot under the doorway is cranked up to support the foot well.**
- 10) **Connect plumbing. Refer to fitting guides for the Thermostatic valve and Pump if supplied.**
- 11) **Test plumbing for leaks and pump operation.**
- 12) **Fill bath to maximum and leave for about 30 minutes to test the door seal.**
- 13) **While the bath seal is being tested position and trim to size the front and side panels.**
- 14) **Mark bottom of panels onto floor base. Fix battens along floor behind panels.**
- 15) **Refit front and side panels. Drill through bottom into batten and top into bath wooden frame. Push fit panels onto the retaining clips prefitted on the bath sides. Do not use Silicone sealant as this prevents service access.**
- 16) **Silicone bath rims to walls as necessary.**
- 17) **Install shower screen following the instruction sheet packed with the screen**
- 18) **Finally drain bath and leave the Door Open to prevent over compression of the seal.**
- 19) **Instruct customer on the use of the bath.**

◆ **Refer to 'Operating/Care and Maintenance Instructions' and leave copy with customer.**

◆ **Do not leave door in locked position on completion. Advise customer that the door should be left unlocked when not in use in order to preserve the seal.**

July 2013

# THE BRERETON BATH

## IMPORTANT USERS INSTRUCTIONS

**PLEASE READ CAREFULLY AND RETAIN FOR FURTHER USE.  
IMPROPER USE OR CARE CAN INVALIDATE THE WARRANTY.**

### **OPERATING INSTRUCTIONS**

The Brerton bath features an inward opening door for easy access. A latch lock is located on the door opening side and locks into position by 'slam shutting' as any domestic door. A 'pull up' knob on adjoining rim releases lock to open. Always leave the door open when not in use to prevent wear out of the seal.

The bath must only be filled and emptied of water when the door is in the locked position. The Brerton is supplied with a single plug & chain waste or with a pop-up option. When a pop-up is supplied turn anti-clockwise to close waste and clockwise to open.

- 1) Close the waste and enter bath.
- 2) 'Slam shut' door to lock into position. Pull on door to check it is locked and push outwards towards lock if required.  
BATH IS NOW READY FOR FILLING
- 3) After bathing turn levers on pop-ups to drain the water and remain seated whilst bath is draining.
- 4) When bath has drained pull door knob upwards to release and open door.
- 5) Exit bath. Leave the door unlocked to ensure seal is not permanently compressed.

*\*FILL BATH ONLY WHEN OCCUPIED AND DOOR SHUT\**

*\* NEVER ATTEMPT TO OPEN DOOR WHEN BATH IS FILLED WITH WATER \**

*\* DO NOT LEAN ON DOOR OR USE FOR SUPPORT \**

*\* ALWAYS LEAVE THE DOOR OPEN WHEN NOT IN USE TO PRESERVE THE SEAL \**

### **CARE AND MAINTENANCE**

The Brerton Bath is manufactured to a very high standard in G.R.P. (Reinforced Plastic) to ensure its durability and appearance is maintained over many years of use. It has a robust, smooth and warm surface which is non-porous, resistant to dirt and bacteria and easy to clean and maintain.

**This bath will give many years of service and continue to look good if cleaned correctly and treated with care.**

## **CLEANING**

1. As with standard baths, cleaning will vary subject to the scale residue dependant on the hard or soft water level. In soft water areas, wash down with warm water and detergent applied with a soft cloth or sponge. In hard water areas, non-abrasive or mild acid cleansers can be used. Clean regularly followed by wiping with a dry soft cloth.

Do not use any form of abrasive cleaners on bath tub, the painted seat back plate/crossbar, the dome seal housing and the hydraulic piston. Widely available proprietary plastic/enamel bath cleansers are ideal cleaning agents that offer the advantage of a polished shine without rubbing down.

For the extra sparkle, and to further preserve the surface, the Bath can be gently polished occasionally. Beeswax and Brasso (Brass Polish) are suitable for this purpose. Polishing the anti-slip base should be treated with caution so as not to diminish its effectiveness.

2. The stainless steel lock receiver on door and lock cover plate can be polished occasionally with a stainless steel polish to ensure it does not discolour. It is recommended the latch lock is lubricated on average once a year subject to the chlorine content in the water. A lubricant such as “WD 40” or “3 in 1 oil” would be adequate.
3. The white silicone seal along bath door sides should be cleaned occasionally. Use detergent and warm water applied with a sponge or soft cloth. Apply gently and refrain from excessive rubbing.
4. Ideally all chrome or gold plated furniture should be wiped down dry after use. Clean with soapy water and buff with a dry soft cloth only. Note: Surfaces can easily be damaged with acid/abrasive cleaners or with a rough cloth/sponge.

## **CAUTION**

- **DO NOT LOCK THE DOOR WHEN BATH IS NOT IN USE AS THIS WILL WEAR OUT THE SEAL .**
- **KEEP THE WHITE SILICONE SEAL FREE OF ANY BUILD UP OF DEPOSITS. CLEAN GENTLY AND AVOID UNNECESSARY HANDLING.**
- **DO NOT APPLY ANY UNDUE FORCE TO THE BATH DOOR. HANDLE GENTLY.**



SNB Ltd 37 Warren Street London W1T 6AD  
13  
EN 14516: CLASS2

July 2013