

Delamere Installation Guide

The Delamere is supplied with the following components:-
Bath (LH or RH door opening) with front panel
Twin Waste kit

CONTOUR
built-in independence

Optional Items:
LH/RH side panels

Other Items supplied with contract

Thermostatic Valve (TMV22 for high flow rate) - **MUST BE INSTALLED IN ALL CASES.**

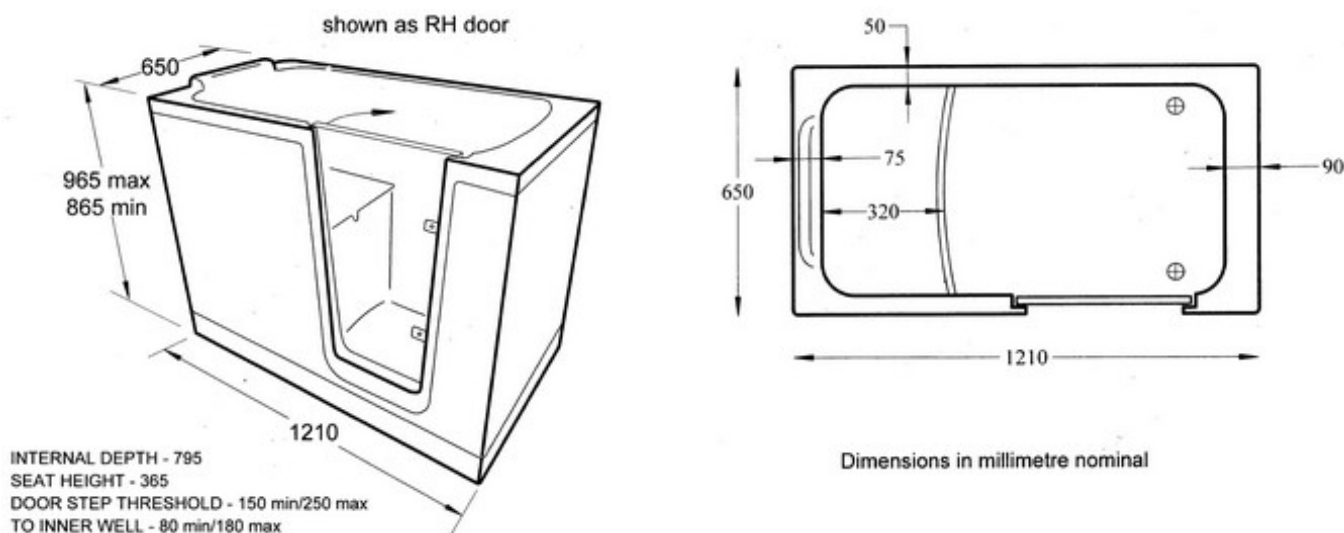
Bath shower mixer.

Refer to commissioning & Installation Instructions.

Towel & Grab Rail

Possible additional items :

Fast fill pump and flow switch for taps.



IMPORTANT NOTES

The bath is supplied with 4 adjustable feet fitted & has a water capacity of 225 litres (unoccupied) which may require pump assisted taps with a flow rate of 17 litres/min minimum. Use only 22mm pipe leads to enhance flow rate. Bath is filled only when user has entered and shut door, consequently taps must be thermostatically controlled.

Installation is similar as for a standard bath except that twin wastes are supplied to increase drainage rate & to ensure the bath can be drained if one waste fails. The bath should be installed rigidly to ensure there will be no movement or sagging of the floor when bath is used.

Consideration should be given to lowering the wastes below the floor level to keep the step threshold to a minimum to assist customer's ability to step into the bath. Use only shallow waste traps.

If fitting in an alcove ensure the bath freely goes into position (as sideways pressure can distort the doorway).

The Delamere is manufactured in glass fibre. When handling, proceed with care and caution, in particular the bath edges are more brittle than in acrylic baths.

Standard Fitting Guide.

- 1) **Manoeuvre bath into bathroom carefully.**
- 2) **Drill and affix Taps.**
- 3) **Fit wastes, overflow and waste traps supplied .**
- 4) **Place bath in position and adjust to minimum height.**

Note: It is advisable to fix batten runs on to the floor under the bath feet to avoid extending the legs to far & to ensure feet sit squarely and flat. On a wooden floor batten runs (3" x 2" minimum) should be positioned squarely across the floor boards to spread & support the load.

- 5) **Level bath in all planes using the four adjustable feet on the four outer corners only and lock the feet.**
- 6) **Mark wall fixings and plumbing runs.**
- 7) **Remove bath and run plumbing into position.**
- 8) **Re-position bath and fix to the floor using all the four bath feet.**
- 9) **Connect plumbing. The wastes may be run independently or joined by use of a tee, inserted after the in line traps. Refer to fitting guides for the Thermostatic valve and Pump if supplied.**
- 10) **Test plumbing for leaks and pump operation.**
- 11) **Fill bath to maximum and leave for about 30 minutes to test the door seal.**
- 12) **While the bath seal is being tested position and trim to size the front and side panels.**
- 13) **Mark bottom of panels onto floor base. Fix battens along floor behind panels.**
- 14) **Refit front and side panels. Drill through bottom into batten and top into bath wooden frame. Push fit panels onto the retaining clips pre-fitted on the bath. Do not use Silicone sealant as this prevents service access.**
- 15) **Silicone bath rims to walls as necessary.**
- 16) **Finally drain bath and Leave The Door Open when in use to prevent over compression and the wear out of the seal.**
- 17) **Instruct customer on the use of the bath.**

◆ **Refer to 'Operating/Care and Maintenance Instructions' and leave copy with customer.**

◆ **Do not leave door in locked position on completion. Advise customer that the door should be left unlocked when not in use in order to preserve the seal.**

DELAMERE BATH

IMPORTANT INSTRUCTIONS FOR CUSTOMER

**PLEASE READ CAREFULLY AND RETAIN FOR FURTHER USE.
IMPROPER USE OR CARE CAN INVALIDATE THE WARRANTY.**

OPERATING INSTRUCTIONS

The Delamere bath features a watertight door held firmly in a locked position by means of 2 cam lock catches operated by a lever activated steel handle. The door should always be kept in an open position when not in use to preserve the seal.

- 1) When seated in the bath plug up the wastes and push the door to close.
- 2) Push the steel handle away from you fully until it reaches the stop position.

The bath is now watertight and ready for use.

- 3) Turn the taps on and fill the bath to desired depth.
- 4) After bathing release the two wastes and remain seated until all the water is completely drained away.
- 5) Pull on the door handle towards you to unlock the door.
- 6) Exit the bath and leave the door unlocked when not in use to preserve the door seal.

** NEVER ATTEMPT TO OPEN THE DOOR WHEN BATH IS FULL OF WATER **

** DO NOT LEAN UN THE DOOR OR USER FOR SUPPORT **

CARE AND MAINTENANCE

The Delamere Bath is manufactured to a very high standard in G.R.P. (Reinforced Plastic) to ensure its durability and appearance is maintained over many years of use. It has a robust, smooth and warm surface, which is non-porous, resistant to dirt and bacteria and easy to clean and maintain.

This bath will give many years of service and continue to look good if cleaned correctly and treated with care.

CLEANING

1. As with standard baths, cleaning will vary subject to the scale residue dependant on the hard or soft water level. In soft water areas, wash down with warm water and detergent applied with a soft cloth or sponge. In hard water areas, non-abrasive or mild acid cleansers can be used. Glass Cleaners can be used on door. Clean regularly followed by wiping with a dry soft cloth.

Widely available proprietary plastic/enamel bath cleansers are ideal cleaning agents which offer the advantage of a polished shine without rubbing down.

For the extra sparkle, and to further preserve the surface, the Bath can be gently polished occasionally. Beeswax and Brasso (Brass Polish) are suitable for this purpose. Polishing the anti-slip base should be treated with caution so as not to diminish its effectiveness.

2. The stainless steel lock receiver on outer face of door can be polished occasionally with a stainless steel polish to ensure it does not discolour. It is recommended the latch lock is lubricated on average once a year subject to the chlorine content in the water. A lubricant such as “WD 40” or “3 in 1 oil” would be adequate.
3. The white silicone seal along bath door sides should be cleaned occasionally. Use detergent and warm water applied with a sponge or soft cloth. Apply gently and refrain from excessive rubbing.
4. Ideally all chrome or gold plated furniture should be wiped down dry after use. Clean with soapy water and buff with a dry soft cloth. Note: Surfaces can easily be damaged with acid/abrasive cleaners or with a rough sponge.

CAUTION

- **DO NOT LOCK THE DOOR WHEN BATH IS NOT IN USE.**
LEAVE THE DOOR OPEN TO PRSERVE THE SEAL.
- **KEEP THE WHITE SILICONE SEAL FREE OF ANY BUILD UP OF DEPOSITS.**
CLEAN GENTLY AND AVOID UNNECESSARY HANDLING.
- **DO NOT APPLY ANY UNDUE FORCE TO THE BATH DOOR. HANDLE GENTLY.**



SNB Ltd 37 Warren Street London W1T 6AD
13
EN 14516: CLASS 2