

Hatchmere & Duo Installation Guide

The Hatchmere bath may be supplied in a two part 'Duo' version (for in situ assembly)

Components:

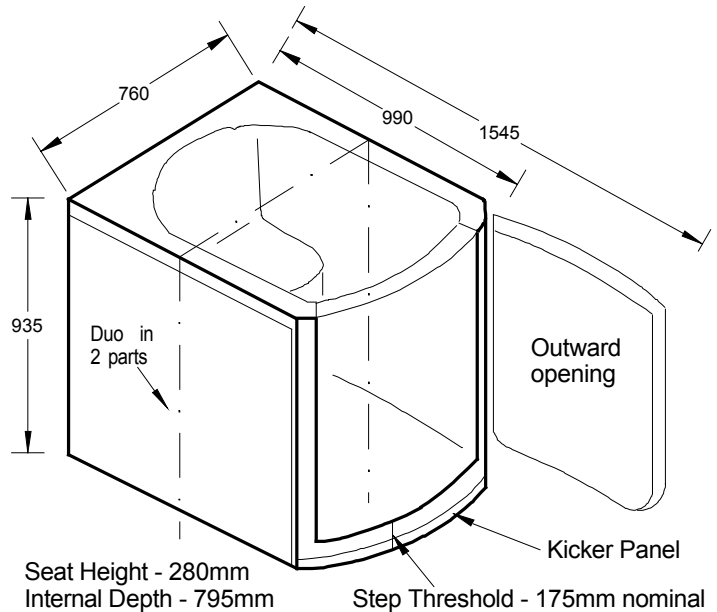
LH or RH Door Hinging
Kicker Panel
Optional Side Panel
2 x Waste Kits
2 x Wall Fixing Brackets

For Assembling the 2-part 'Duo' Version

13 x Friction Nuts & Washers
1 x Silicone Gasket
1 x Bath Foot

Items required with contract

Thermostatic Valve (must be installed)
Bath Taps/Shower Mixer
Optional Fast Fill Pump & Pressure Set



IMPORTANT NOTES

The bath is supplied with 4 adjustable feet fitted with an extra loose one for the 'Duo' version. It has a water capacity of 206 litres (unoccupied) which may require pump assisted taps with a flow rate of 17 litres/min minimum. Use only 22mm pipe leads to enhance flow rate.

Installation is similar as for a standard bath except that twin wastes are supplied to increase drainage rate & to ensure the bath can be drained if one waste fails. The bath should be installed rigidly to ensure there will be no movement or sagging of the floor when bath is used.

Consideration should be given to lowering the wastes below the floor level to keep the step threshold to a minimum to assist customer's ability to step into the bath.

The bath is manufactured in glass fibre with a gel-coat surface. When handling, proceed with care and caution; in particular the bath edges are more brittle than in acrylic baths

For ease of manoeuvrability we recommend the door be removed after unpacking. The door pivots on 'lift-off' hinges. Unlock the door and lift off.

Assembly of 2-part Duo Version- If Supplied

Lift off the door from the front half and carefully put to one side.

Remove the 3 wing nuts securing the front half to the rear half of the bath.

Put a protective cover on the floor and lay the bath onto the floor with the door opening facing down.

You will note that facing you will be a flange containing 13 secured studs.

In the pack will be 13 anti friction nuts and 13 washers.

CONTOUR
built-in independence

Carefully unwrap the Silicone gasket and place in position on the flange with the studs passing through their appropriate matching holes in the gasket.

Unwrap the rear half of the bath and lay over the front half carefully locating the holes to their matching studs.

Fit the washers over the studs and start the anti-friction nuts onto the studs.

Tighten the nuts. These should be tightened to 15 ft-lb (20.36 Newtons).

Secure the additional bath foot to the underside of the foot well on the front half of the bath and close to the back boarded edge. Now stand the bath upright & follow guide below.

Standard Fitting Guide

- 1) Lift off door and lay aside.
- 2) Fix the wall mounting brackets to the timber frame at the rear of the seat area.
- 3) Drill and affix Grab rail and Taps.
- 4) Fit wastes and overflows.
- 5) Place bath into position & adjust to a minimum height.

It is advisable to fix batten runs on to the floor under the bath feet to avoid extending the legs to far & to ensure feet sit squarely and flat. On a wooden floor batten runs (3" x 2" minimum) should be positioned squarely across the floor boards to spread & support the load.

- 6) Level bath in all planes using the bath adjustable feet. Lock feet.
- 7) Mark wall fixings and plumbing runs.
- 8) Remove bath, drill wall fixings and run plumbing into position.
- 9) Reposition bath and affix to wall and, to floor via bath feet.
- 10) Connect plumbing. Refer to fitting guides for the Thermostatic valve and Pump if supplied.
- 11) Re-hang door.
- 12) Test plumbing for leaks and pump operation.
- 13) Fill bath to maximum and leave for about 30 minutes to test door seal.
- 14) Trim and fit side and kicker panels.
- 15) Mark bottom of panels onto floor base. Fix battens along floor behind side panels and at each end of kicker panel.
- 16) Refit side panels, Drill through bottom into batten and top into bath wooden frame. Affix panel using screws and caps. Do not use Silicone sealant as this prevents service access.
- 17) Re fit kicker panel and affix as above into floor battens.
- 18) Finally drain bath **& leave the door unlocked in an open position to preserve the seal.**
- 19) Instruct customer on the use of the bath.

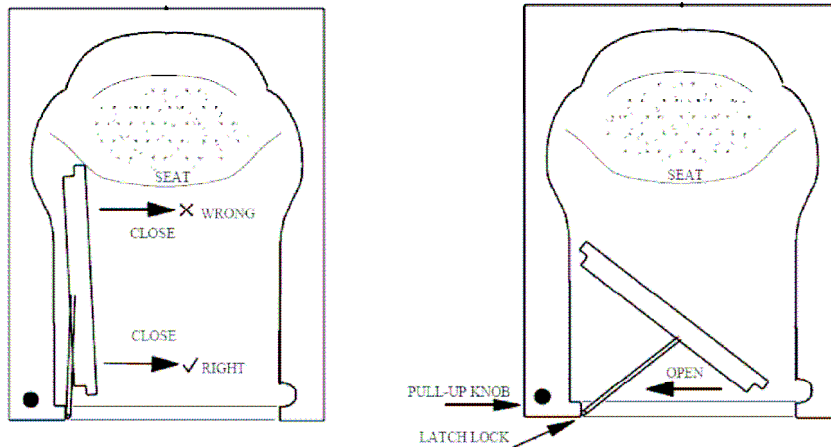
◆ Refer to the 'User Guide' and leave copy with customer.

◆ Do not leave door in locked position on completion. Advise customer that the door should be left unlocked when not in use in order to prevent over compression & wear out of the door seal.

THE COMBERMERE BATH

IMPORTANT INSTRUCTIONS FOR CUSTOMER

PLEASE READ CAREFULLY AND RETAIN FOR FURTHER USE.
IMPROPER USE OR CARE CAN INVALIDATE THE WARRANTY.



OPERATING INSTRUCTIONS

The Combermere bath features a 2-part folding door to allow for easier access. A latch lock and bolt are located on the left and right hand side of the doorway respectively. Simply 'slam shut' door to close and lock into position. Always keep the door unlocked when not in use to prevent wear out of the seal.

1. Prior to entering bath push door inwards to far left hand side.
2. In a standing position in bath shut door by pulling gently from nearside of door only (do not pull from far side as door will jam). As door approaches closed position push outwards to engage latch lock and secure door.

Now be seated. Bath is ready for use.

3. After bathing, remain seated whilst all the water is drained on release of the 2 wastes.
4. Pull on the lock knob in a standing position to release and open door.
5. Exit bath and leave the door open when not in use to preserve the seal .

****IT IS BEST TO HANDLE DOOR JUST OFF CENTRE ON NON-HINGE SIDE ****

**** NEVER ATTEMPT TO OPEN DOOR WHEN BATH IS FILLED WITH WATER ****

**** DO NOT LEAN ON DOOR OR USE FOR SUPPORT ****

CARE AND MAINTENANCE

The Combermere Bath is manufactured to a very high standard in G.R.P. (Reinforced Plastic) to ensure its durability and appearance is maintained over many years of use. It has a robust, smooth and warm surface which is non-porous, resistant to dirt and bacteria and easy to clean and maintain.

This bath will give many years of service and continue to look good if cleaned correctly and treated with care.

CLEANING

1. As with standard baths, cleaning will vary subject to the scale residue dependant on the hard or soft water level. In soft water areas, wash down with warm water and detergent applied with a soft cloth or sponge. In hard water areas, non-abrasive or mild acid cleansers can be used. Clean regularly followed by wiping with a dry soft cloth.

Widely available proprietary plastic/enamel bath cleansers are ideal cleaning agents which offer the advantage of a polished shine without rubbing down.

For the extra sparkle, and to further preserve the surface, the Bath can be gently polished occasionally. Beeswax and Brasso (Brass Polish) are suitable for this purpose. Polishing the anti-slip base should be treated with caution so as not to diminish its effectiveness.

2. The stainless steel lock receiver on outer face of door can be polished occasionally with a stainless steel polish to ensure it does not discolour. It is recommended the latch lock is lubricated on average once a year subject to the chlorine content in the water. A lubricant such as “WD 40” or “3 in 1 oil” would be adequate.
3. The white silicone seal along bath door sides should be cleaned occasionally. Use detergent and warm water applied with a sponge or soft cloth. Apply gently and refrain from excessive rubbing.
4. Ideally all chrome or gold plated furniture should be wiped down dry after use. Clean with soapy water and buff with a dry soft cloth. Note: Surfaces can easily be damaged with acid/abrasive cleaners or with a rough sponge.

CAUTION

- **DO NOT LOCK THE DOOR WHEN BATH IS NOT IN USE AS THIS WILL WEAR OUT THE SEAL.**
- **KEEP THE WHITE SILICONE SEAL FREE OF ANY BUILD UP OF DEPOSITS. CLEAN GENTLY AND AVOID UNNECESSARY HANDLING.**
- **DO NOT APPLY ANY UNDUE FORCE TO THE BATH DOOR. HANDLE GENTLY.**

July 2013



SNB Ltd 37 Warren Street London W1T 6AD
13
EN 14516: CLASS2