



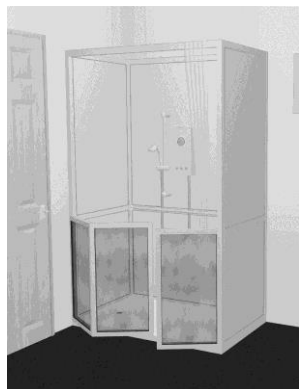
Cubicle Fitting Instructions

	
Contour Showers, Siddorn Street, Winsford, Cheshire CW7 2BA 16 CS-CPR-14428-01	Contour Showers, Siddorn Street, Winsford, Cheshire CW7 2BA 16 CS-CPR-14428-02
WF180 PH EN 14428:2015 CA-IR-DA	WF360 PH EN 14428:2015 CA-IR-DA

Instruction suits the following cubicles:

Cubicle 1 Cubicle 2
Cubicle 3 Cubicle 4
Cubicle 5 Cubicle 6

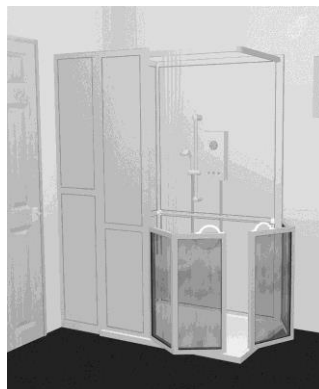
Also includes any special cubicle configurations with a flat top tray not mentioned above.



Cubicle 1
illustrated above



Cubicle 5
illustrated above



Cubicle 6 with WC
illustrated above

INSTALLATION GUIDE, please refer to all supplied instructions

STEP 1
Install shower tray

STEP 2
Install cubicle assembly as per instructions

STEP 3
Install WC frame (if applicable)

STEP 4
Install WC & Washbasin (if applicable)

! WE DO NOT APPROVE THE USE OF POWER SHOWERS IN SPECIAL NEEDS SHOWER TRAYS !

PLEASE READ THESE INSTRUCTIONS AND THE NOTES ON PAGE 4 PRIOR TO COMMENCING YOUR INSTALLATION. THESE INSTRUCTIONS HAVE BEEN PREPARED AS AN INSTALLATION GUIDE AND ALSO AIM TO ASSIST IN THE INSTALLATION OF ANY SPECIAL ENCLOSURES NOT SHOWN ABOVE

! BEFORE YOUR INSTALLATION, ROUGHLY PLACE THE COMPLETE SHOWER CUBICLE ONTO YOUR SHOWER TRAY TO JUDGE WHERE THE ENCLOSURE IS TO BE FITTED

! IT IS ESSENTIAL THAT ALL JOINTS BETWEEN COMPENSATORS, WALLS, FRAME SECTIONS AND SHOWER TRAY (BOTH SIDES OF THE UNIT) ARE SEALED WITH A SILICONE SEALANT AND LEFT TO CURE FOR AT LEAST 24 HOURS BEFORE USE

! NO RESPONSIBILITY WILL BE ACCEPTED BY THE MANUFACTURER FOR WATER LEAKS, ETC., IF THIS HAS NOT BEEN CARRIED OUT PROPERLY

ITEM	QUANTITY	DESCRIPTION
1	1	Shower Cubicle
2	1	Shower Curtain
3	1	Curtain Rail with Hooks and Gliders
4	1	Shower Cubicle Fixing Pack

C U B I C L E S

1. Fit one of the side panels to back panel using the corner section, **FIG 1**. Ensure that the panels are fully inserted in the corner section. Fit the other side panel to back panel in the same way.
2. Position back fixing bar onto tray as shown in **FIG 2**. Mark holes through bar and pilot drill into tray with a 3mm drill. Apply silicone sealant to the contact area of the bar, then fix to the tray with No6 x 38mm countersunk screws supplied.
3. Fit side fixing bar(s) identical to back fixing bar ensuring that they butt together at the corners. Apply silicone sealant where the fixing bars meet, **FIG 2**
4. **NOTE!** Some cubicles only have a back and one side, so therefore will only require 2 fixing bars
5. Fit the back panel and two side panels over the fixing bars.
6. **IMPORTANT! BEFORE FITTING PANELS ON TO THE TRAY, APPLY SILICONE SEALANT INTO THE UNDERSIDE CHANNEL OF THE PANELS BOTTOM RAIL AND CORNER SECTIONS, FIG 3**
7. Drill through pre-drilled holes in the back panel and two side panels with a 4.75mm drill bit and fix with the supplied plastic rivets. Ensure the sides of your cubicle are square when you do this, **FIG 4**
8. Fit the remaining door assembly into the corner sections, do not fix at this stage.
9. Ensure that all doors open and close freely, and that the bottom seal on the doors makes good contact with the surface of the shower tray.
10. Now that the doors are in the correct position, fix the door assembly to the corner sections using the plastic rivets supplied, as described in Step 7.
11. **NOTE!** The door hinges can be adjusted either up or down to obtain the correct position between the doors and the tray if necessary. slightly undo the screws in the hinges on the cubicle (not the doors) and slide the doors up or down to obtain the correct position. Re-tighten all the hinge screws when complete.

FIG 1

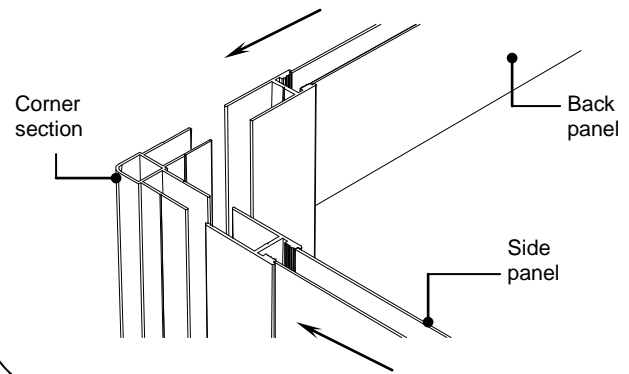


FIG 2

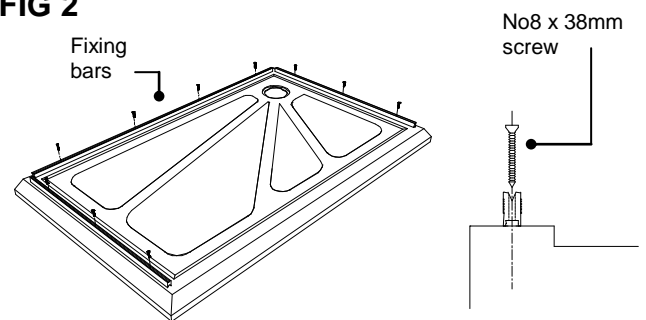


FIG 3

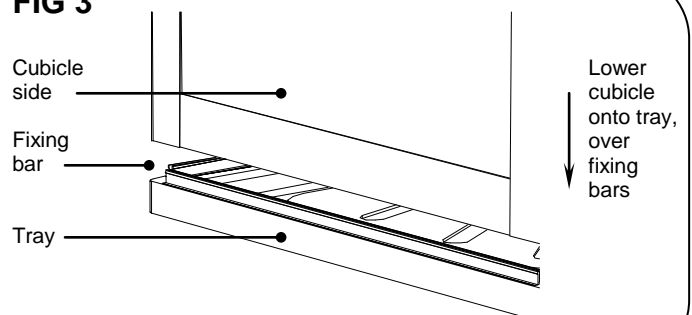
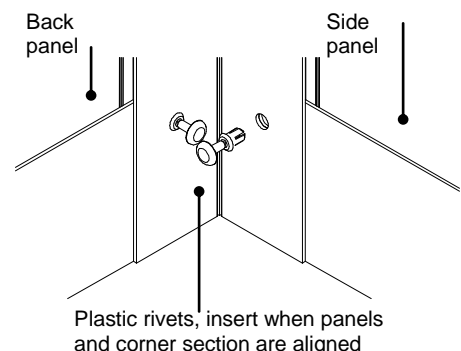


FIG 4



C U B I C L E S

11. To fit curtain rail, firstly slide the hooks and gliders into the rail and fit the end stops.

12. Place the curtain rail against the inside of the cubicle frame above the doors, ensuring that the rail is level with the top edge of the cubicle. Mark off and pilot drill holes in curtain rail and pilot drill 3.5mm holes into cubicle frame.

13. Fix the curtain rail to the cubicle frame with No8 x 32mm countersunk screws and white caps. Remember to fit the supplied white plastic washers between the curtain rail and cubicle frame, **FIG 5**.

14. Secure the shower cubicle to the wall by attaching the supplied wall brackets on the top of the back and side panels, **FIG 6**.

15. Drill holes in the wall with a No10 masonry drill bit, and pilot drill the panel using a 3.5mm drill. Insert rawl plugs and screw bracket to the wall using a No8 x 50mm pan head screws. Finally fix the bracket to the panel using No8 x 25mm pan head screw.

NOTE! CUT THE BRACKET(S) FLUSH WITH THE BACK OR SIDE PANEL IF THEY PROJECT INTO THE CUBICLE.

16. Use silicone sealant to seal the joints between the base of the cubicle and the tray on the inside only.

17. To fit the grab rail, firstly determine height the rail is to be set at, **FIG 7**

18. Mark the position on the vertical section of the back panel using pre-drilled hole in the grab rail bracket, **FIG 7**

19. Drill an 11mm hole in vertical section and fit the supplied Jacknut into the hole. Secure bracket using M6 x 30mm pan head bolt, **FIG 7**

20. Slide grab rail into the bracket and repeat Step 17 & 18, ensure the grab rail is level!

21. To fit the seat bars firstly determine the required seat height.

22. Mark the seat bar positions through the pre-drilled holes and pilot drill 3.5mm holes into the vertical cubicle frame. Secure bars with No8 x 13mm pan head screws and caps, **FIG 8**

23. **NOTE! Seat bars are suitable for seats with front legs and hook type bracket fittings.**

FIG 5

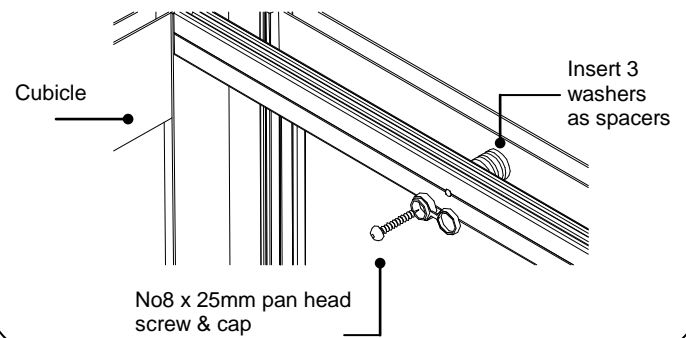


FIG 6

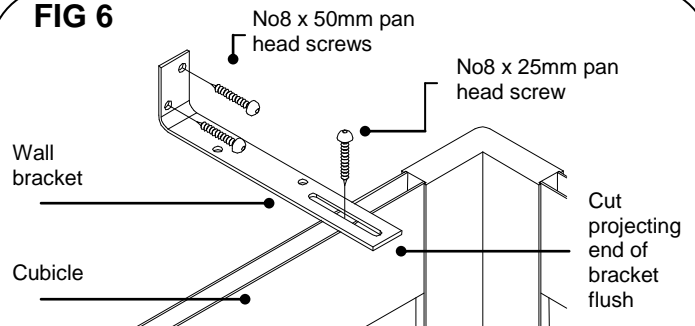


FIG 7

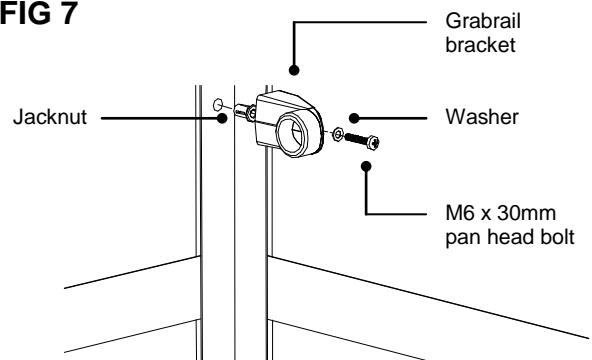
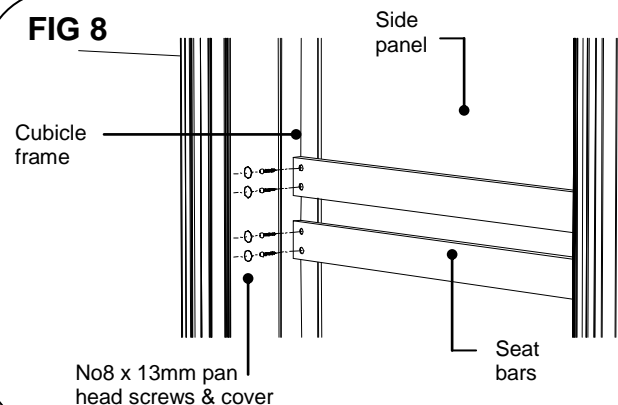


FIG 8



C U B I C L E S

Optional Extras

Roof

1. To fit roof over cubicle, first place roof on top of cubicle and pilot drill 3.5mm holes into the back and side panels through pre-drilled holes in roof.
2. Fix with No8 x 38mm pan head screws.
3. Place wall bracket on top of roof and fix to the wall and roof as detailed in Steps 14 & 15, **FIG 9**

WC Cupboard

The WC Cupboard should be assembled at the same time as the side and back panels, **FIG 1**

1. Fix the Loo cupboard support in position by pilot drilling two 5mm holes in the support flange. Drill the floor and fix using the supplied screws and rawl plugs. The front edge of the WC cupboard panel should sit flush on top of the Loo cupboard support when assembled, **FIG 10**
2. Place wall compensator against the wall mark fixing holes when plumb. Drill wall with No10 masonry drill bit and fix with supplied screws.
3. Offer cupboard frame into 'T' section and compensator and secure in place, **FIG 11**
4. WC cupboard panel lifts into place to allow access to the cistern, **FIG 12**
5. Follow the assembly instructions supplied with the WC frame and WC when you are ready to install the WC and cistern.
Wooden spacers are supplied to fill the void between the cistern and cubicle panel to prevent the panel from bowing. Use individually or a combination of thicknesses as required, **FIG 13**

IMPORTANT NOTES FOR INSTALLERS

We do not accept responsibility for the poor performance of this product if fitting instructions have not been followed, and/or cubicle has been fitted un-even, out of plumb or out of square

It is essential that particular attention is given to all relevant notes and figures regarding silicone sealant both in assembly and after installation is completed. Sealant should be left to cure for 24 hours after application and before shower cubicle is used

We recommend that the installer fits a suitable timber batten (not supplied) between polypropylene panels and the wall for the fitting of a shower unit. Fix batten to the wall and screw through cubicle panel into timber batten to fit your shower unit. If batten thickness is not sufficient to obtain a strong and secure fixing, screw shower unit directly into the wall through the cubicle panel and batten

When installing cubicle into the corner of a room, ensure the wall brackets are fitted to both the back and side panels as shown in Steps 14 & 15

Screw fixings and rawl plugs are included which are suitable for fixing into solid wall constructions only. If fixing into plasterboard/stud walls, a suitable cavity type fixing must be used (not supplied)

Our policy is one of continuous improvement, we therefore reserve the right to alter or modify our product when it is deemed necessary without prior notice

YOUR CUBICLE IS NOW READY FOR USE

FIG 9

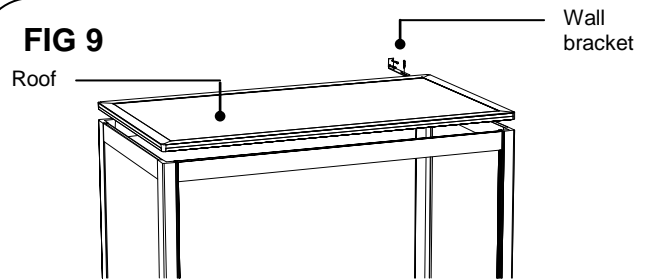


FIG 10

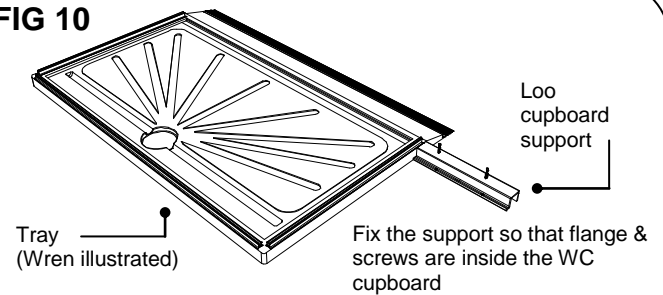


FIG 11

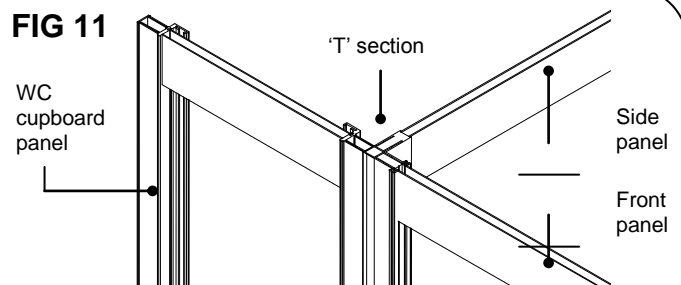


FIG 12

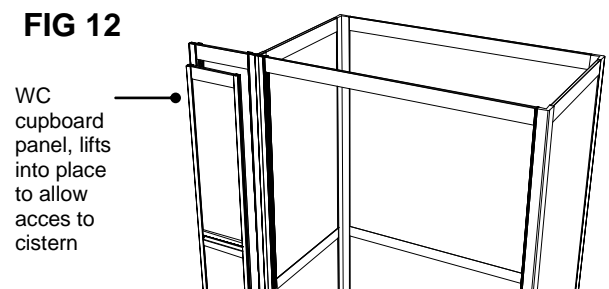


FIG 13

Spacers are supplied to fill the void between the WC cistern & cubicle panel.

A
2 x 6mm thick
1 x 9mm thick

B
2 x 6mm thick
1 x 9mm thick

