

Doc M Pack Low Level Layout Drawing

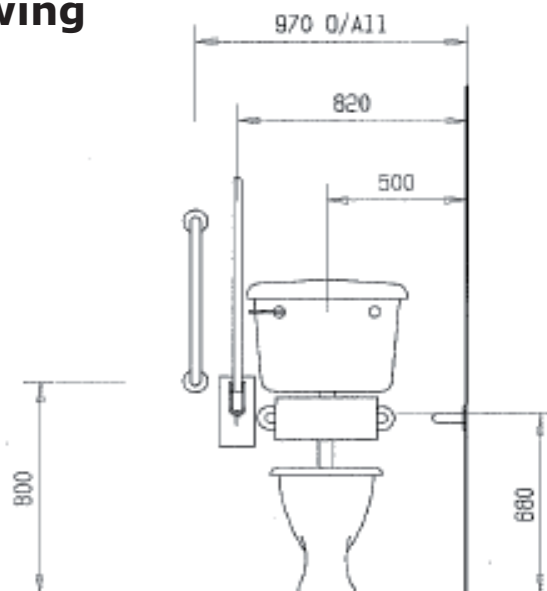
Contents of pack:

- 1off White low level pan - 455mm high
- 1off White 6 ltr cistern
- 1off White pvc flush pipe
- 1off Chrome spatula flushing lever handle
- 1off White Rangemoor heavy duty ring seat c/w s/s fixings
- 1off White wall hung basin 450 x 370mm
- 1pr Basin hangers
- 1off Chrome lever action spray mixer tap
- 1off Chrome 32mm flush grated waste
- 1off 32mm plastic bottle trap
- 5off White 600 x 35mm grab rails
- 1off White 820mm hinged support rail
- 1off White 400 x 250mm back rest rail with pad
(400 x 320mm inc. pad)

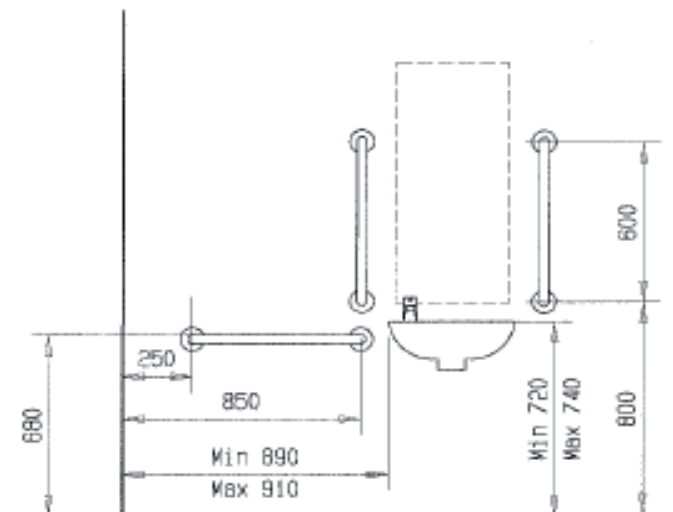
REQUIRED EXTRAS - Not Supplied

- Mirror 400mm x 900mm
- Toilet roll holder
- Coat Hooks
- Colostomy Shelf
- Alarm Cord

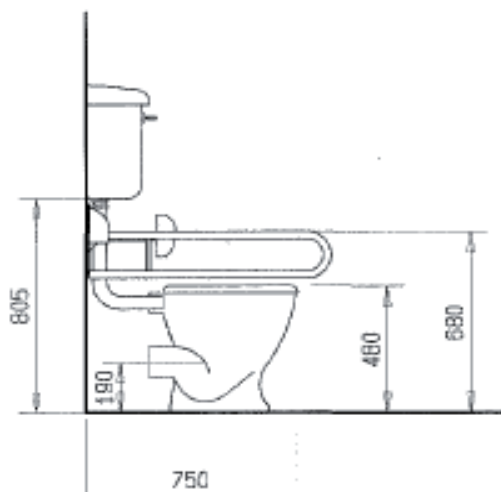
Please note dimensions for the installation of the required extras can be found in:
The Building Regulations 2000 Approved Document M 2004 Edition
Page 56 Diagrams 19 and 20



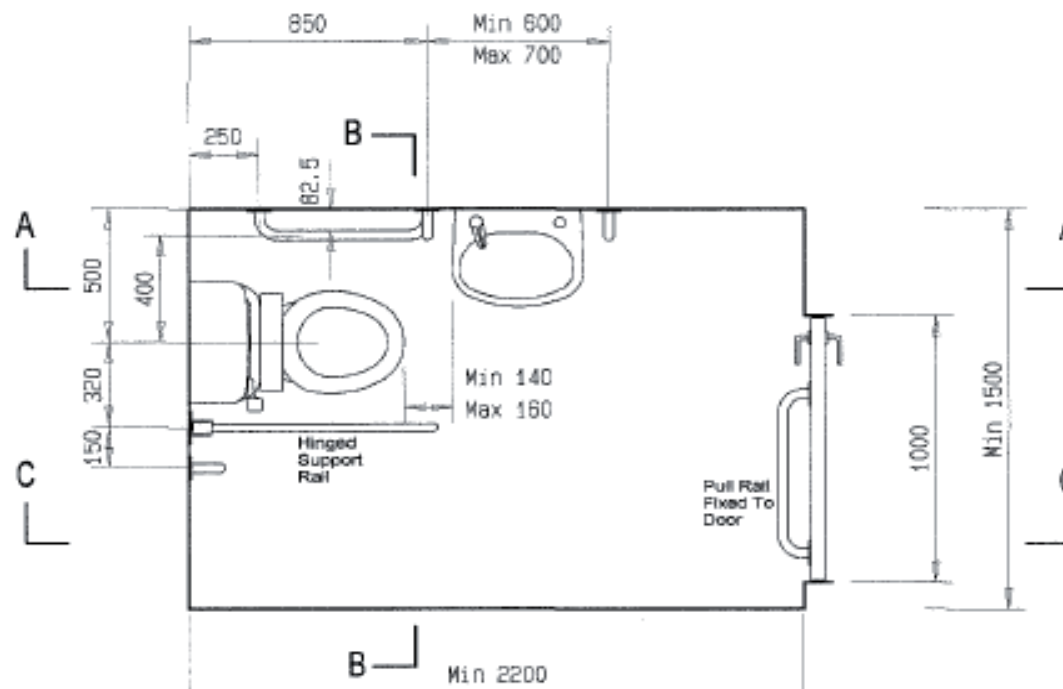
View on B-B



View on A-A



View on C-C



Plan of Typical Installation

.pdf copy

CONTOUR
built-in independence

Dimensions in Millimeters

Do Not Scale If in Doubt Ask!

Drawing Title

DOC M LANTAC APPROVAL
Low Level - 2004

Material

Finish

Drawn By:

A Barkas

Date:

20/01/04

Checked By:

Date:

Drawing No.

BPL001017/1

Scale

NTS

