



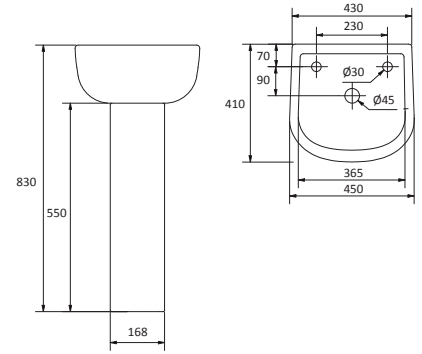
450mm washbasin, full pedestal



520mm washbasin, full pedestal



550mm washbasin, semi pedestal



450mm washbasin



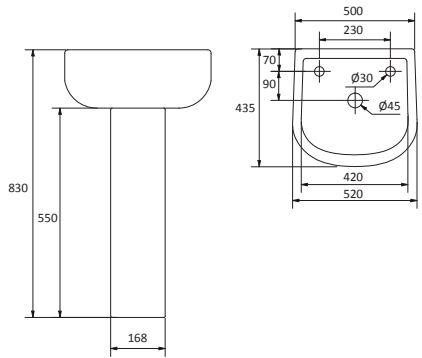
CE
Raised height close coupled WC
Spatula lever

With Thomas Dudley Cascade one piece syphon for lever operated systems.

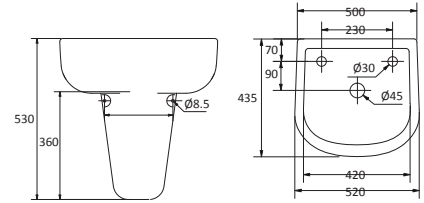


CE
Raised height close coupled WC Dual push button flush

With Thomas Dudley Niagra water saving, dual flush, push button valve for full or reduced flushes.



520mm washbasin & full pedestal



520mm washbasin & semi pedestal

WASHBASINS & WC'S

WASHBASINS **BRISTAN**

- D shaped, 2 tap hole basin with overflow, chain hole & fixing bolts.
- Chrome waste with plug & chain.
- **450mm wide washbasin:** 410mm projection.
- **520mm wide washbasin:** 435mm projection.
- Supplied with a pair of Bristan ¼ turn, 3" lever taps.
- Manufactured from white, vitreous china.
- Conforms to BS EN 14688.



Bristan ¼ turn, 3" lever taps.

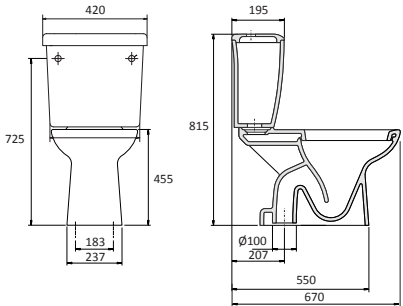
WC'S **Thomas Dudley**

- Raised height, close coupled WC.
- Large footprint with 4 point fixing.
- Manufactured from white, vitreous china.
- Conforms to EN997.
- Supplied with white, standard closing toilet seat with stainless steel hinges or, blue ring only seat.
- Pan height 455mm, 670mm projection.
- Thomas Dudley flushing components, spatula lever or push button flush options, *see right*.

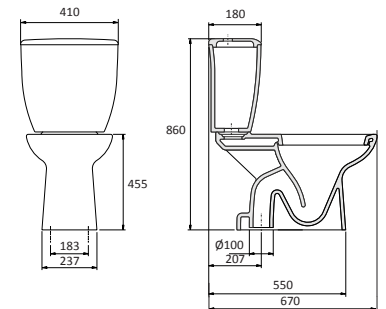


Blue ring only seat available on request.

Description	Reference
450mm washbasin, full pedestal	04PACK-4501
520mm washbasin, full pedestal	04PACK-5201
520mm washbasin, semi pedestal	04PACK-5202
Raised height WC & spatula lever, blue seat	04PACK-001B
Raised height WC & spatula lever, white seat	04PACK-001W
Raised height WC & push button flush, white seat	04PACK-005W



Raised height WC, spatula lever



Raised height WC, push button flush